

# LED PROFILES - PRODUCT CATALOGUE

Quality Aluminum LED profiles Manufacturer & Designer

All products presented in this catalogue are patented and owned by LEDs-ON. All rights reserved.



LEDs-ON™  
LED PROFILES FOR LED LIGHTING

## CONTENT

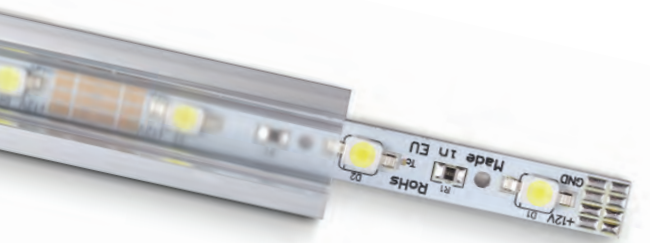
RECESSED SLIM LINE 15mm .....	4
RECESSED SLIM LINE 7mm .....	6
SLIM LINE 15mm .....	8
SLIM LINE 15mm with optic lens 30° .....	10
SLIM LINE 15mm with optic lens 60° .....	11
SLIM LINE 7mm .....	12
SLIM LINE 7mm with optic lens 30° .....	14
SLIM LINE 7mm with optic lens 60° .....	15
ALU-45 (45 degree light angle) .....	16
ALU-CORNER .....	19
POWER LINE 35mm .....	22
POWER LINE WIDE 80 .....	24
RECESSED POWER LINE 35mm .....	26
ALU-ROUND .....	30
ALU-ROUND with optic lens 30° .....	32
ALU-FLAT .....	44
ALU-STAIR .....	46
ALU-WALL .....	49
ALU-WALL-US .....	54
SLIM LINE WIDE 8mm .....	56
RECESS SLIM LINE WIDE 8mm .....	58
SLIM LINE WIDE 15mm .....	60
ALU-CEILING .....	62
POWER LINE SLIM 30mm .....	65
RECESSED POWER LINE SLIM 30mm .....	67
ALU-SWISS 15mm .....	70
SLIM LINE WIDE 20mm .....	72
RECESS SLIM LINE WIDE 20mm .....	74
SLW20B WALL INSTALLED LED PROFILE .....	76
PL35 ONE SIDE LIGHT OUTPUT .....	78
PL35 TWO SIDE LIGHT OUTPUT .....	80
ALU-SQUARE .....	82
SLW10 .....	84
WALL LED LAMP .....	86
RPLW80 .....	88
ALU-GLASS HAND RAIL .....	90
ALU-STAIR 2 .....	92
ALU-STAIR 2 CARPET .....	94
ALU-TRIANGLE .....	96
POWER LINE WIDE 116 .....	98
ALU-ASYMETRIC .....	100
PURCHASE TERMS AND CONDITIONS .....	102







AL-RSL15  
AB-SL



## RECESSED SLIM LINE 15mm

RSL15; 15 x 24,5mm

### ADVANTAGES:

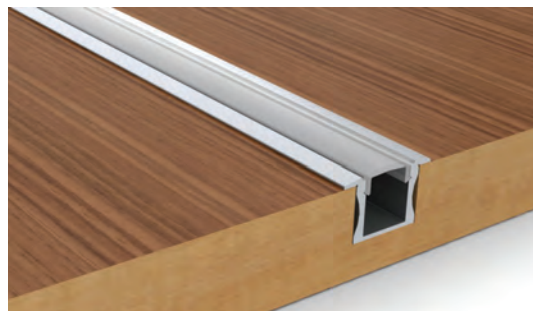
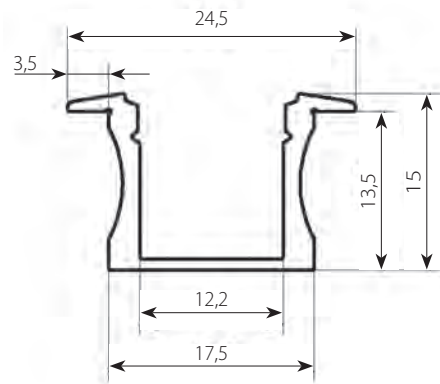
- High standard of anodizing aluminum surface
- High Quality UV resistant polycarbonate snap in diffuser
- Three different light diffusers to choice from, frosted (LEDs dots free), 50% frosted and transparent.
- Reduced light lost design
- Small dimensions only 15mm high
- Suitable for standard LED stripes up to 12mm of wideness
- Available on stock in anodized silver color
- Possible length and color customizing at MOQ
- Available with dedicated finish end caps
- Indoor use only, IP20

### FUTURES:

- Nice looking, clean, contemporary housing for the LEDs
- LEDs heat sink housing and mechanical protection for the LED stripes against damage

### APPLICATIONS:

- Recessed under kitchen cabinets LED lighting
- Floor led lighting (with IP54 led's)
- Recessed storage shelves LED lighting
- Gypsum ceiling, wall accent LED lighting
- Furniture production
- Exhibition boot LED lighting

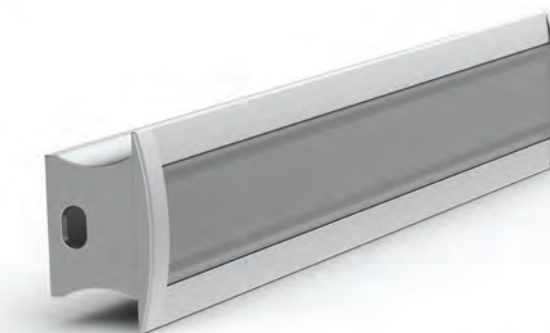


### DESCRIPTION

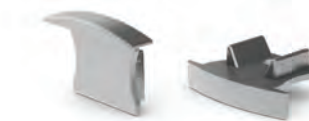
It is recessed type of the aluminum LED profile to build into material as MDF or other. The profile can be also recessed into floor (with IP54 LED ribbon inside only), wall or ceiling and the wide edges of the profile will cover the edges of insertion row completely. Extruded polycarbonate, high quality diffuser now is placing/removing from the front on click. It is UV resistant, and damage resistant (walk over safe, tested). Customer has a choice of three types of the diffusers what can be placed into that LED profile, frosted, 50% frosted and transparent.

The fully frosted diffuser do not shows led dots on the diffuser surface and the LED's are not visible. Frosted diffuser is giving nice smooth light line. Base of the profile is made from anodized aluminum in standard silver color. The product can be customizing like anodized in 9 different colors, and paint in any RAL color. Additionally on the outside surface we can place tin/screch resistant foil, which imitates the wood structure on the profile for perfect mach with kitchen cabinets. All most popular woods structure foils are available.

Profile is available on stock in 1m or 2m sections with finish accessories as end caps or mounting brackets. The aluminum profile will provide mechanical and thermal protection for the LEDs. The profile can be use with high power LED's up to 1W each. Led profiles are IP20 can be use outside with IP67 led ribbons only.



AL-RSL15  
AB-SL  
EC-RSL15



EC-RSL15  
End Caps





AL-RSL7  
AB-SL



AL-RSL7  
AB-SL  
EC-RSL7

## RECESSED SLIM LINE 7mm

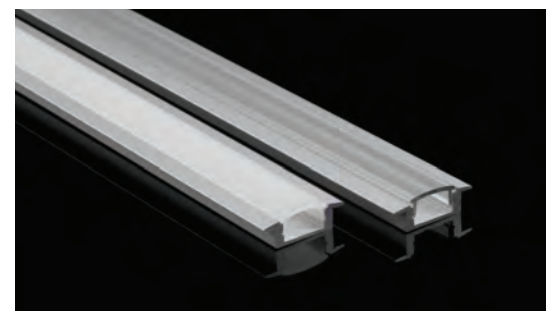
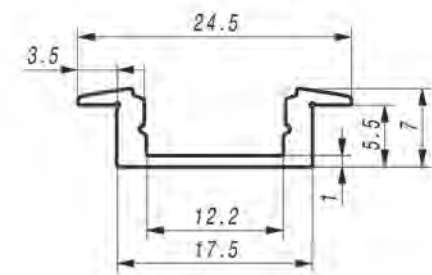
RSL7; 7 x 24,5mm

### FEATURES:

- Recessed type with clean design
- Cover up the edges of the mill Vely low profile, only 7mm high Perfect for low power LED stripes
- Diffuser placed/removed from the top Designed for indoor use only
- Available with frosted or clear diffuser
- Made from aluminum / anodized

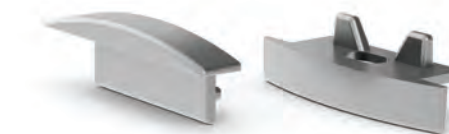
### APPLICATIONS:

- Kitchen cabinets LED lighting
- Furniture production
- Interior accent lighting
- Shop shelf exposition

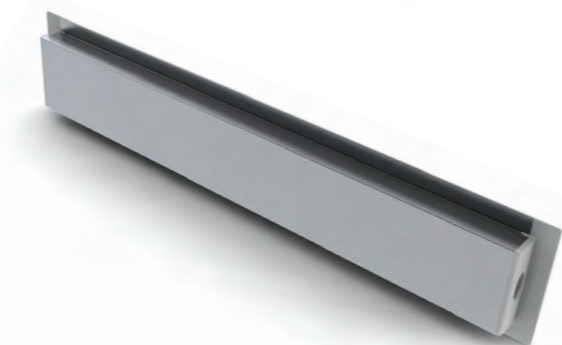
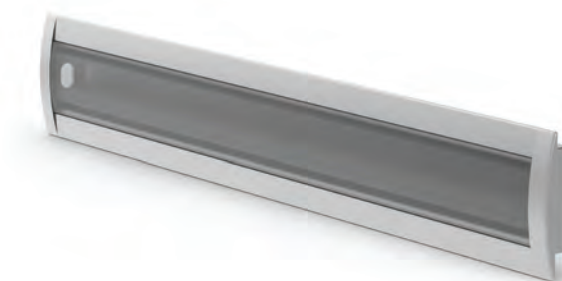


### DESCRIPTION

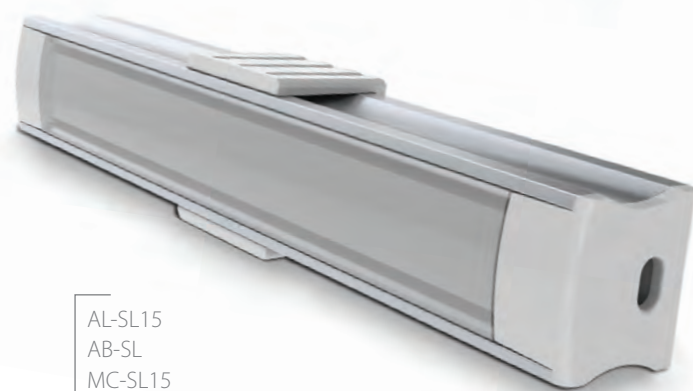
Recessed Slim Line 7mm LED profile it is dedicated for build-in into surface material. The profile can be recess into any kind of surface and the expending to the sides the profile "wings" covers the mill row completely. This type of profile is often use for build in underneath kitchen cabinets LED lighting, retail store shelf lighting, floor, stairs, walls or ceiling accent LED lighting. The profile itself is generally dedicated for standard up to 12mm LED stripes. The profile is performing as the heat sink to the LEDs and appears as nice, stylish housing for the LEDs itself. It comes with choice of three different quality UV resistant, snap-in diffusers, frosted, 50% frosted and transparent. For RSL7 LED profile we offer some accessories such as finish end caps which helps to professionally finish the profile.



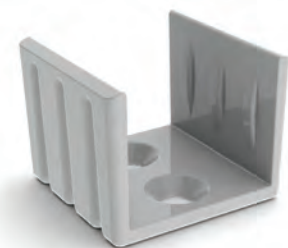
EC-RSL7  
End Caps







AL-SL15  
AB-SL  
MC-SL15  
EC-SL15



MC-SL15  
Mounting Bracket



EC-SL15  
End Caps

## SLIM LINE 15 mm

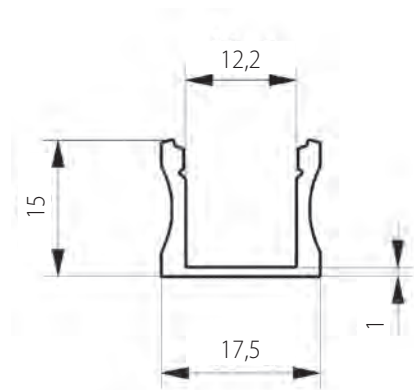
SL15; 15 x 17,5mm

### FEATURES:

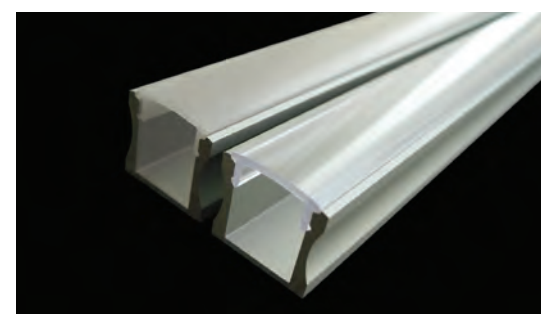
- High quality diffuser, placing/removing from front on click
- Led dots free profile (frosted)
- Walk on safe diffuser, UV resistant polycarbonate diffuser
- Available with 50% frosted, frosted and transparent diffuser
- LED dots free on frosted diffuser (high density LED's ribbon)
- Made from anodizing aluminum
- Suitable for low/high power led bars
- Available lengths – 1m, 2m
- Heat sink and physical protection to the LEDs
- For indoor use only

### APPLICATIONS:

- Furniture production (kitchen / office)
- Interior light design (stairs / storage / floor)
- Stores shelf LED lighting
- Independent LED lamp
- Exhibition boot LED lighting



LC-SL15

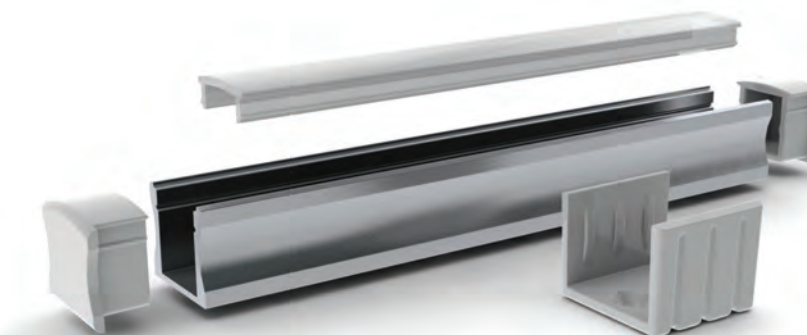


### DESCRIPTION

Slim Line 15mm is high quality surface mounting anodized aluminum LED profile which is dedicated for the standard LED stripes up to 12mm of wideness. The profile is coming with choice of three high quality UV resistant and damage resistant snap-in diffusers, frosted, 50% frosted and transparent. The profile with choice of frosted diffuser is "LEDs DOTS FREE" and deliver soft smooth light on the whole surface. The aluminum profile it is performing as the heat sink to the leds and also presents itself as the nice, stylish and professionally looking housing. Available accessories such as end caps or mounting brackets or optic lenses helps professionally finish every installation.

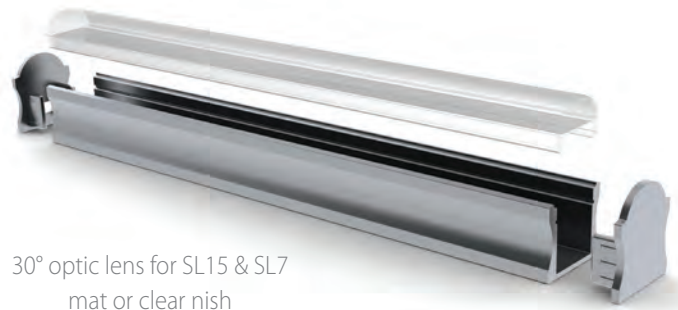


AL-SL15  
AB-SL



AL-SL15  
AB-SL  
MC-SL15  
EC-SL15





30° optic lens for SL15 & SL7 mat or clear nish

AL-SL15-L30  
EC-30SL15-H1, H2

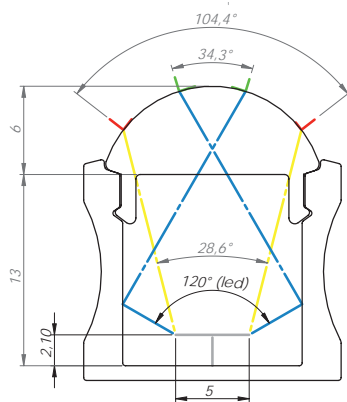
### SLIM LINE 15 mm with optic lens 30°

SL15; 15 x 17,5mm

FEATURES:

Surface installation LED profile with 30° optic lens, UV stabilized. It comes with choice of the mat or clear lens. Available in lengths of 1m/2m.

The outgoing light is concentrated into the 30° beam angle.



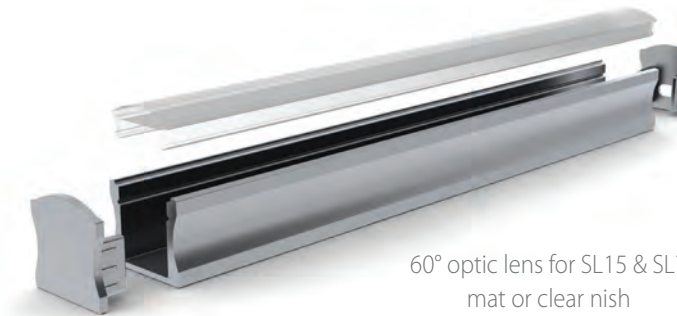
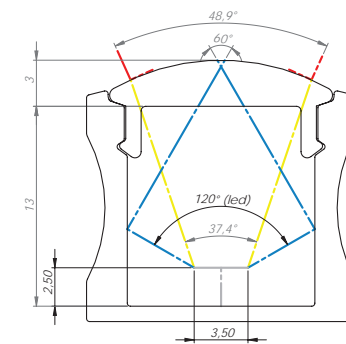
### SLIM LINE 15 mm with optic lens 60°

SL15; 15 x 17,5mm

FEATURES:

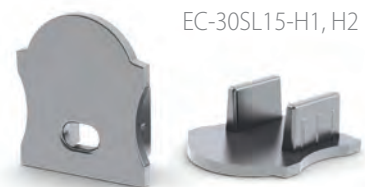
Surface installation LED profile with 60° optic lens, UV stabilized. It comes with choice of the mat or clear lens. Available in lengths of 1m/2m.

The outgoing light is concentrated into the 60° beam angle.



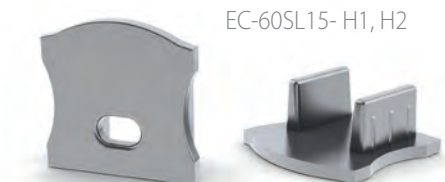
60° optic lens for SL15 & SL7 mat or clear nish

LP-AL-SL15-L60  
EC-60SL15- H1, H2



EC-30SL15-H1, H2

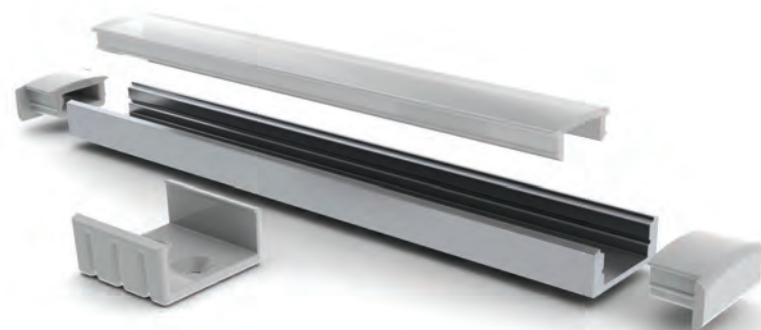
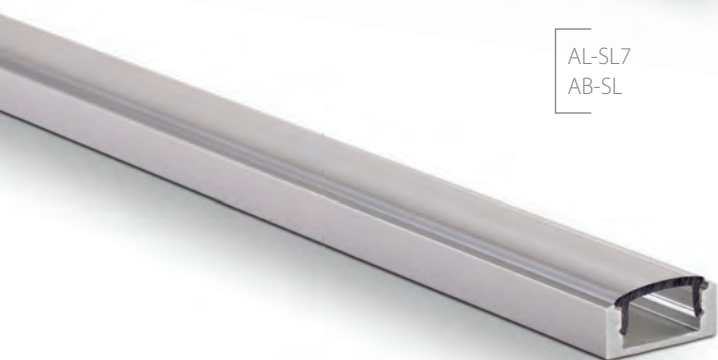
Aluminum end caps for SL15 LED profile with 30° optic lens



EC-60SL15- H1, H2

Aluminum end caps for SL15 LED profile with 60° optic lens



AL-SL7  
AB-SLAL-SL7  
AB-SL  
MC-SL7  
EC-SL7

## SLIM LINE 7 mm

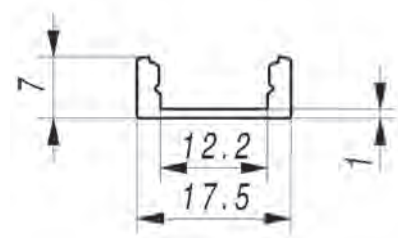
SL7; 7 x 17,5mm

### FEATURES:

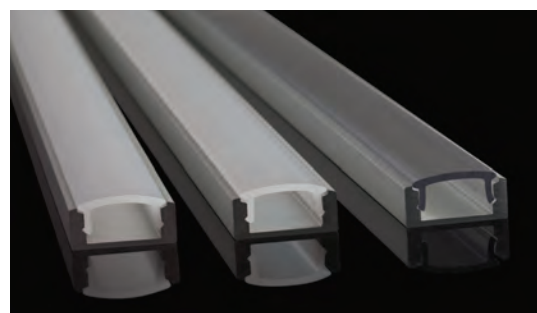
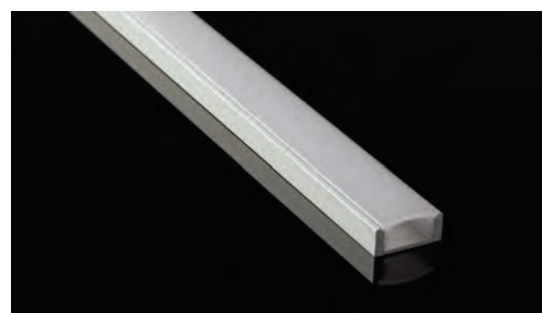
- High quality diffuser, placing/removing from front on click
- Walk on safe diffuser, UV resistant polycarbonate diffuser
- Available with opal, 50% opal and transparent diffuser
- Available lengths – 1m, 2m, 3m (large quantity orders)
- Made from anodizing aluminum
- Suitable mostly for flexible led stripes
- For indoor use only
- Low profile only 7mm high

### APPLICATIONS:

- Furniture production (kitchen / office)
- Interior light design (stairs / storage / floor)
- Stores shelf LED lighting
- Independent LED lamp
- Exhibition boot LED lighting

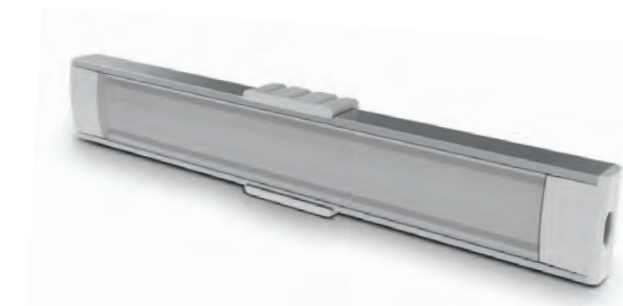


LC-SL7

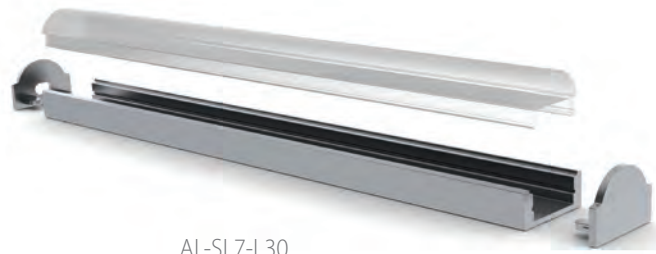


### DESCRIPTION

Slim Line 7mm it is surface mount high quality anodized aluminum LED profile only 7mm high which is dedicated for standard led stripes up to 12mm in the wideness. The profile is performing as the heat sink to the LEDs and appears as nice, stylish housing for the LEDs itself. It comes with choice of three different quality UV resistant, snap-in diffusers, frosted, 50% frosted and transparent. For this SL7 profile we offer several different accessories such as optic lenses, mounting brackets and end caps which helps to professionally finish the profile.

MC-SL7  
Mounting BracketEC-SL7  
End Caps





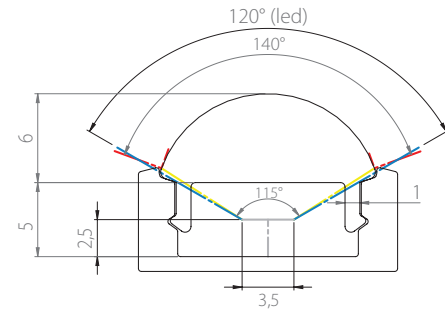
AL-SL7-L30

EC-30SL7- H1,H2

### SLIM LINE 7 mm with optic lens 30°

SL7; 7 x 17,5mm

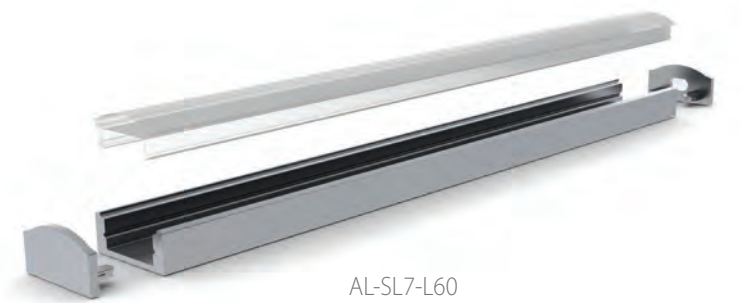
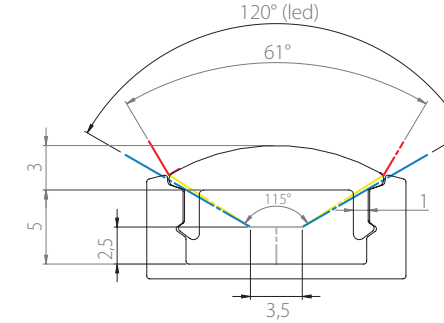
Slim Line 7mm LED prole with 30° optic lens, available with UV stabilized lens in mat or transparent nish.



### SLIM LINE 7 mm with optic lens 60°

SL7; 7 x 17,5mm

Slim Line 7mm LED prole with 60° optic lens, available with UV stabilized lens in mat or transparent nish.



AL-SL7-L60

EC-60SL7-H1, H2



AL-SL7  
AB-SL7-L30K2



Aluminum End Caps  
EC-30SL7-H1, H2



AL-SL7  
AB-SL7-L60M2

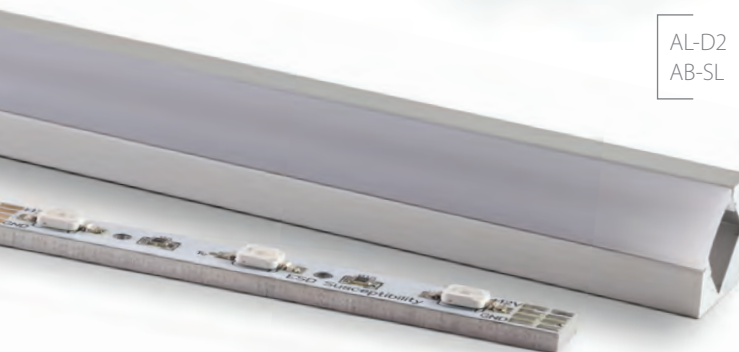
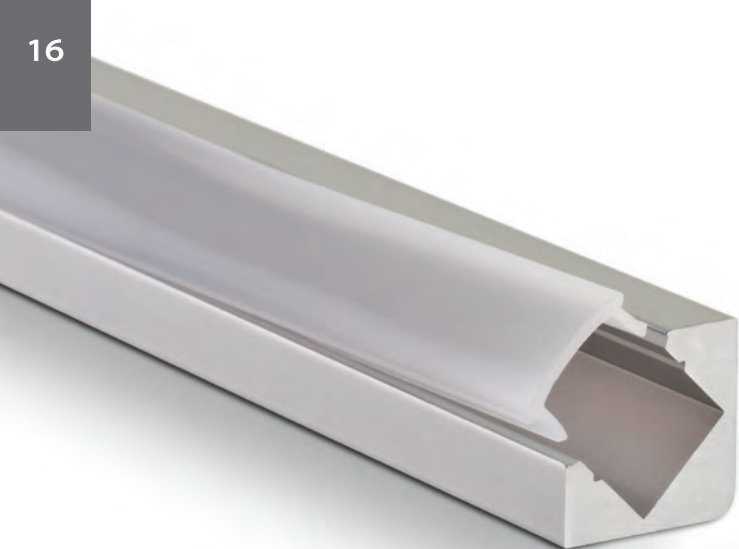


AL-SL7  
AB-SL7-L60K2



Aluminum End Caps  
EC-60SL7-H1, H2



AL-D2  
AB-SLMC-D2  
Mounting BracketEC-D3  
End cap w/out  
cable holeEC-D4  
End cap with  
cable hole

## ALU-45° LED PROFILE

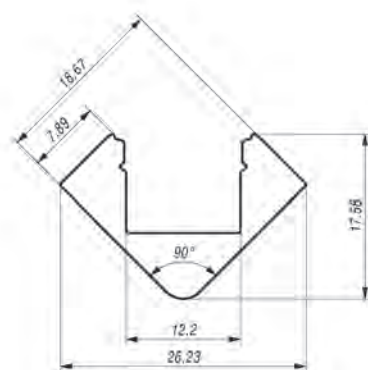
ALU-45°; 17,5 x 26mm

### FEATURES:

- High quality diffuser now placing from the front on click
- Polycarbonate UV resistant, damage resistant (walk over safe)
- Diffuser available in transparent, 50% opal and opal
- Base of the profile is made in anodized aluminum
- Profile available in RAL9010 and standard anode color
- Profile is available in lengths 1m, 2m or 3m (large quantity order)
- ALU-45° is suitable for low power and high power leds
- Simplicity design with high quality finish

### APPLICATIONS:

- Under kitchen cabinets LED lighting
- Stores shelves LED lighting
- Furniture production, inside cabinets LED lighting
- Storage shelves LED lighting
- Exhibition boot LED lighting



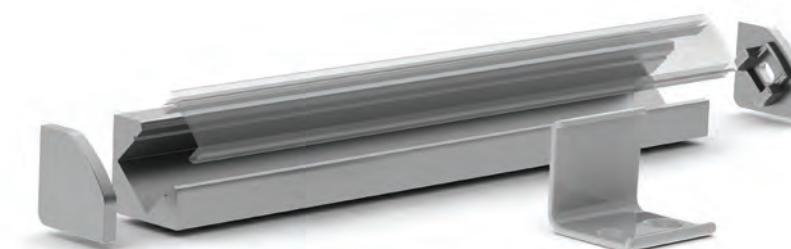
LC-D2



### DESCRIPTION

This is Quality anodized aluminum LED profile in silver or RAL9010 finish color with 45° degree LEDs light emitting angle.

ALU-45° has been designed to fit in at any corner LED lighting application. The light emitted by the LEDs is directed by the shape of the profile in 45° degree angle to do not blind the person who stands in front of it. The LED profile is dedicated for the standard LED stripes up to 12mm of wideness. Large amount of aluminum weight [0,45kg/m] provides excellent thermal heat sink condition to the LEDs and also presents itself as the nice, stylish and professionally looking housing. The profile it is able to handle and maintain stable temperature [45/50°C] at long period of time the in load up to 25W/m. It comes with choice of three different Quality UV resistant, snap-in diffusers, frosted, 50% frosted and transparent. The available accessories for ALU-45° LED profile such as end caps and mounting brackets helps professionally finish the installation.

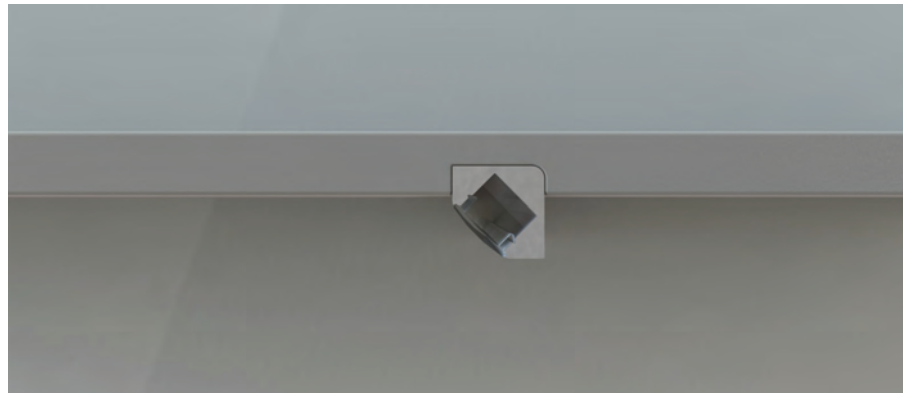
EC-D3  
End CapAL-D2  
Aluminum ProfileMC-D2  
Mounting Bracket



ALU-45° INSTALATION OPTIONS



Face shelf instalation



Corner instalation



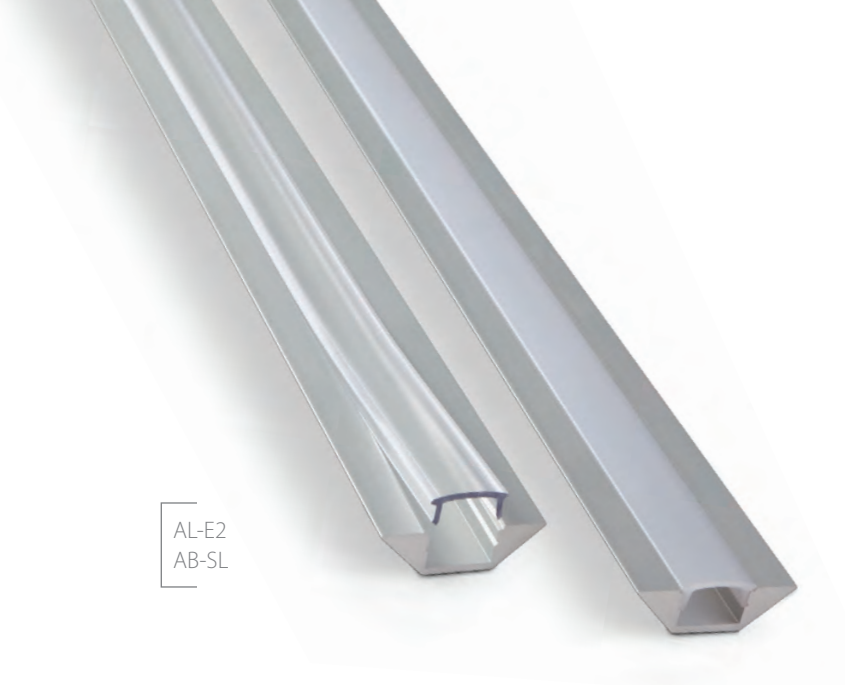
Store shelf



# ALU-CORNER

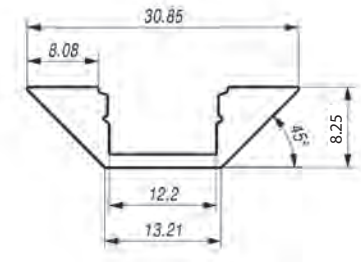
8,25 x 30,8mm

AL-E2  
AB-SL



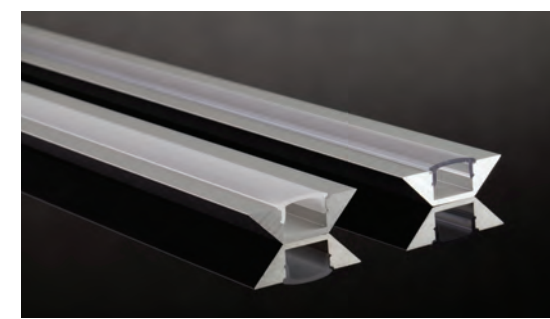
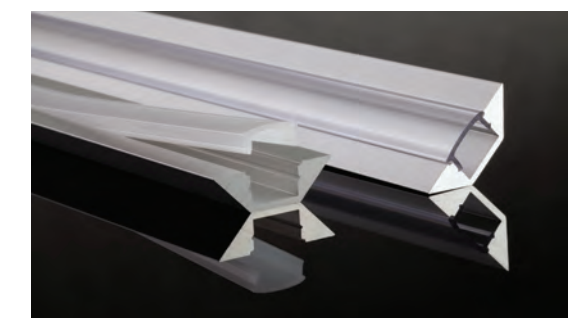
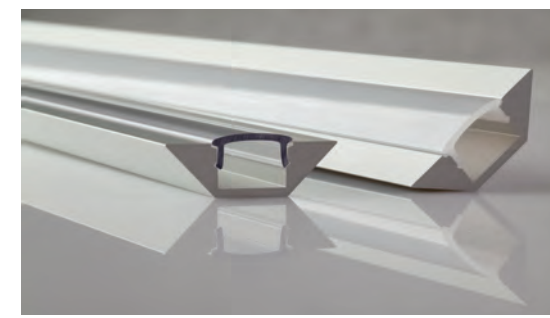
### FEATURES:

- High quality diffuser now placed from the front on click
- Polycarbonate UV resistant, damage resistant (walk over safe)
- Diffuser available in transparent, 50% opal and opal
- Base of the profile is made in anodized aluminum
- Profile is available in RAL9010 and standard anodized color
- Profile is available in lengths 1m, 2m or 3m (large quantity order)
- ALU-CORNER is suitable for low power and high power



### APPLICATIONS:

- Under kitchen cabinets LED lighting
- Stores shelves LED lighting
- Furniture production, inside cabinets LED lighting
- Storage shelves LED lighting
- Exhibition boot LED lighting
- Interior LED lighting



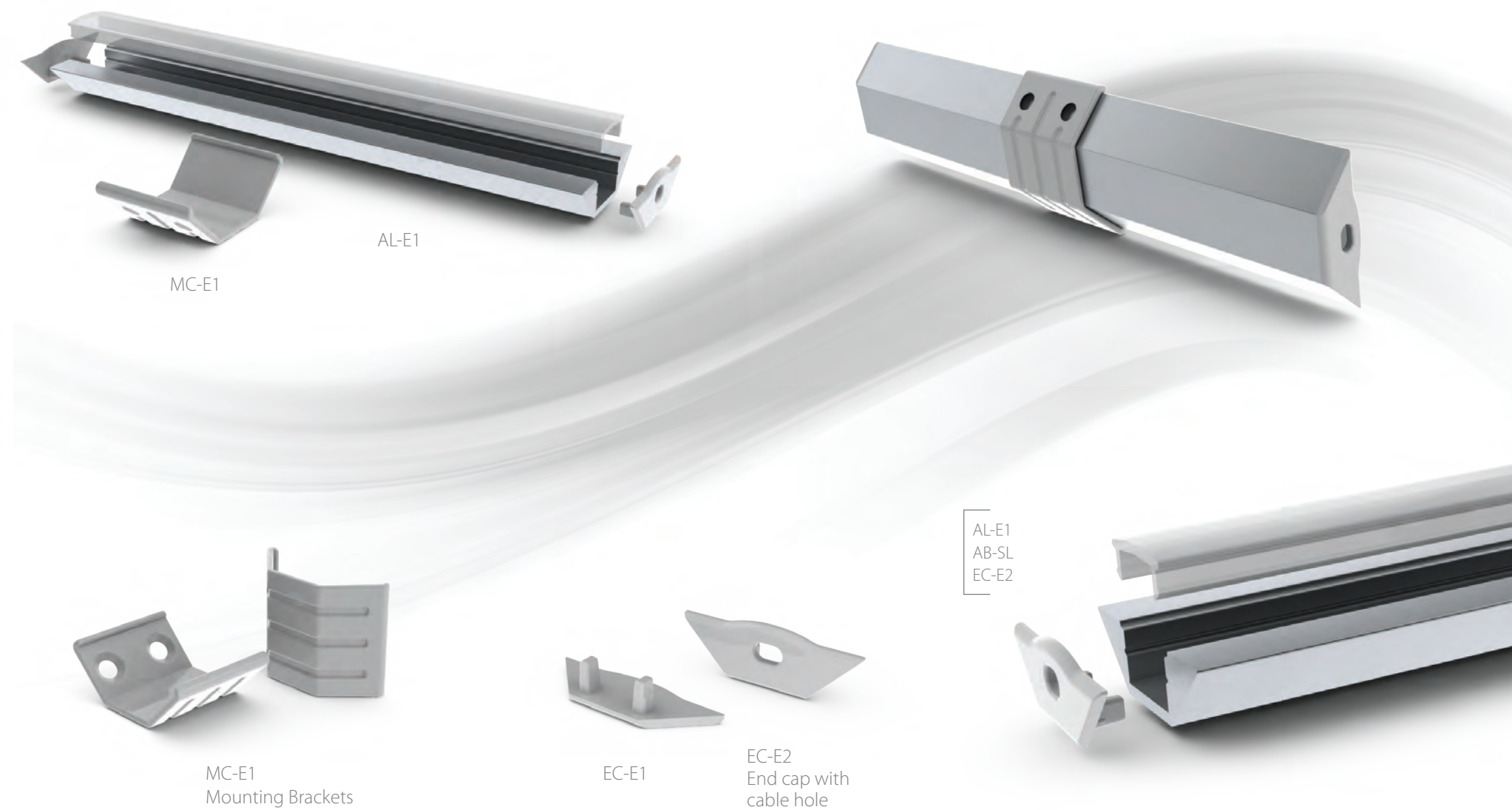


## DESCRIPTION

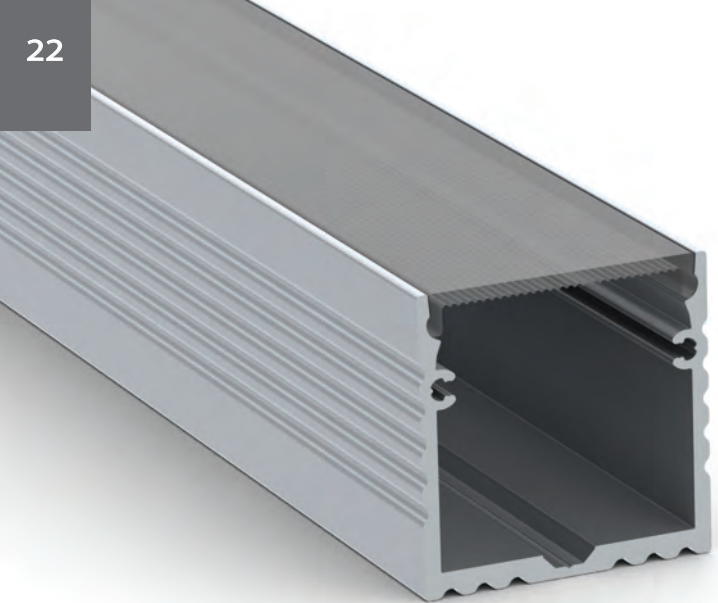
Profile is made from anodized aluminum in silver or RAL9010 finish color with 45° degree LEDs light emitting angle. ALU-CORNER has been designed to fit in at any corner LED lighting application. It is often use for under kitchen cabinets and shelf LED lighting. The light emitted by the LEDs is directed by the shape of the profile in 45° degree angle to do not blind the person who stands in front of it. The LED profile is dedicated for the standard low power or mid power LED stripes up to 25W/m which wideness is up to 12mm. The profile is performing as the heat sink to the LEDs and appears as nice, stylish housing for the LED stripes itself. The profile is coming with choice of three high Quality UV resistant and damage resistant snap-in diffusers, frosted, 50% frosted and transparent. It is available on stock with related accessories such as end caps and mounting brackets which helps professionally finish the profile.



## ALU-CORNER ACCESSORIES





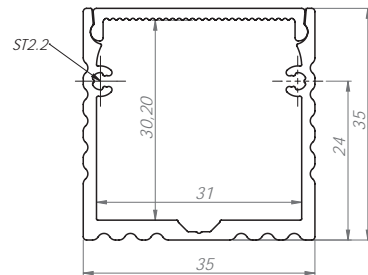


# POWER LINE 35mm

PLA; 35x35mm

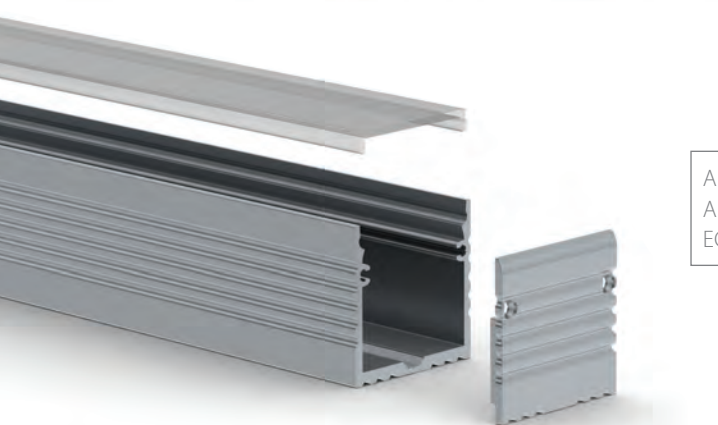
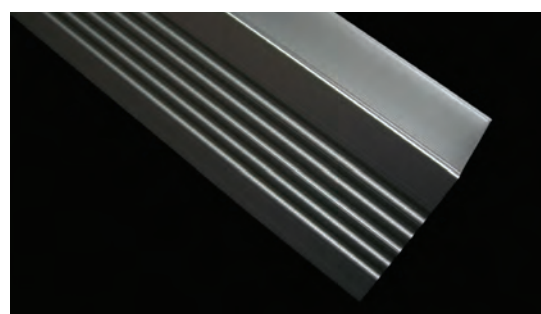
## FEATURES:

- High standard of anodizing aluminum surface
- High Quality UV resistant polycarbonate snap in diffuser
- Two different light diffusers to choice from, frosted (LEDs dots free) and transparent.
- LEDs DOTS FREE design (frosted diffuser)
- Contemporary design which can be suspended from the ceiling or surface installed
- Suitable for standard or high power LED stripes up to 30W/m
- Available on stock in anodized silver color
- Possible length and color customizing at MOQ
- Available on stock with dedicated accessories such as two type of end caps
- Indoor use only, IP20



## APPLICATIONS:

- LED lamp component
- Retail store main ceiling LED lighting
- Suspended LED lighting lamp
- Exhibitions, hotels, restaurants main LED lighting
- Decorative linear LED lighting
- Exhibition boot LED lighting



AL-PLA  
AB-PLA  
EC-PLA



End caps type EC-PLA



Linear Connector LC-PLA



90° Connector 90-LC-PLA

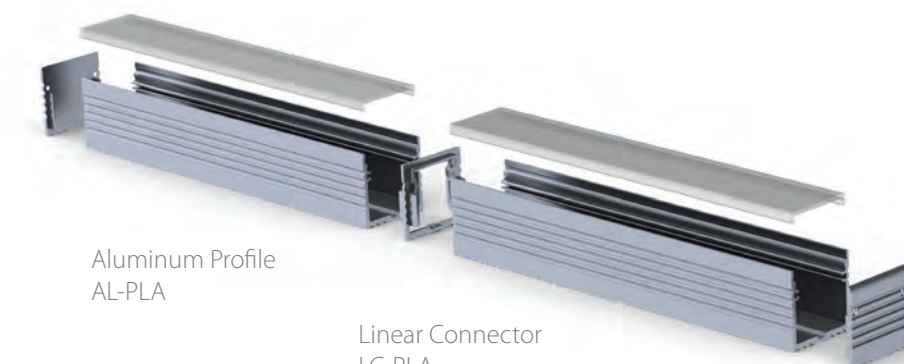


## DESCRIPTION

This profile is dedicated to be use as the LED lighting xture for main lighting at the offices, libraries show rooms or above the kitchen table. It is made from anodized aluminum and is suitable for up to 32mm wide high power LED bars.

The profile can be suspended from the ceiling on the stainless still wires or can be screw it directly to the surface. Profile comes with polycarbonate UV resistant frosted or transparent diffuser placed and removed from the front on click.

We have designed two types of nished end cups for two dierent installation options. Profile is available in length of 1m or 2m.



Aluminum Profile AL-PLA

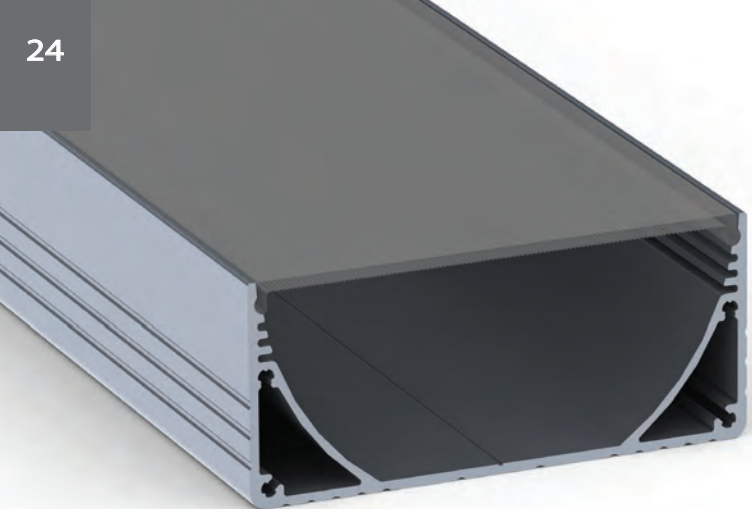
Linear Connector LC-PLA



90° Connector 90-LC-PLA

End Caps EC-PLA



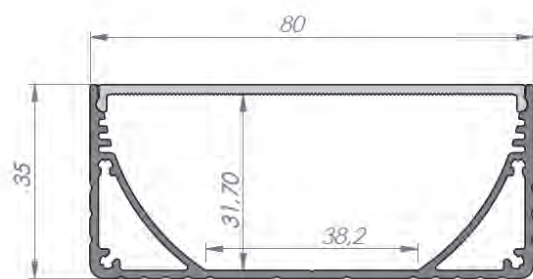


# POWER LINE WIDE 80mm

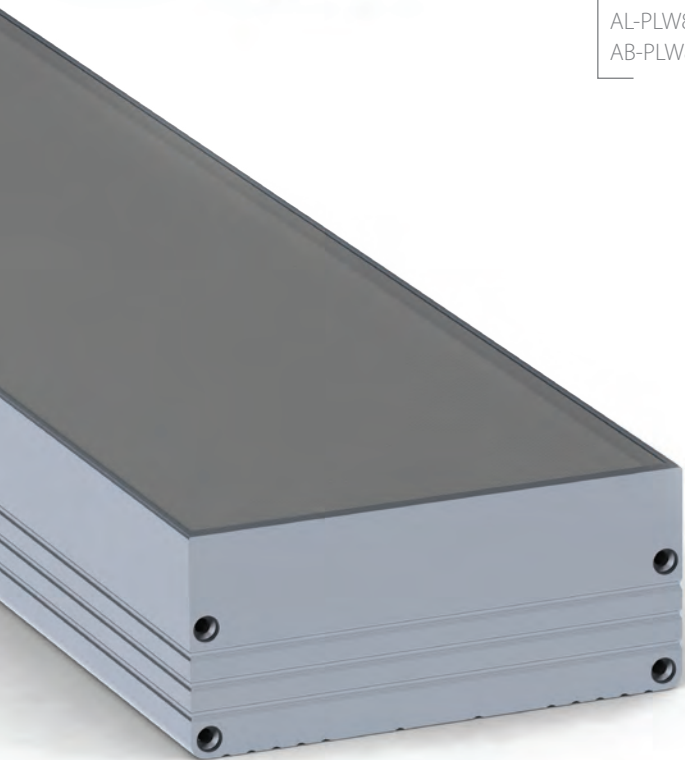
PLW80N; 80 x 35mm

This is new surface installation 80mm width high quality anodized aluminum LED profile with "LEDs DOTS FREE" frosted diffuser.

The anodizing surface quality is the same as in other our profiles and it is free of any extrusion marks and production screeches. Anodizing surface is thick enough to resist the transportation and sometimes difficult operating condition. Extended internal LED chamber dimensions for LED stripes gives you free hands of type and size of LED stripe/s what can be accommodate inside the profile. You can use almost any type of led stripe and you decide how much light will come out by using the right LED stripe. The heavy duty heat sink (PLW80N profile) is prepared and capable to provide excellent cooling system for low/high power LED bars [up to 35W/m]. Specially shaped internal chamber reduce the light lost (bouncing of the light inside the profile) and drive the light slight up to the diffuser surface where the light diffusion is taking place. The profile is coming with choice of two high quality UV stabilized, snap in diffusers in frosted and transparent. PLW80N profile is available with color matching aluminum end caps for professional finish.



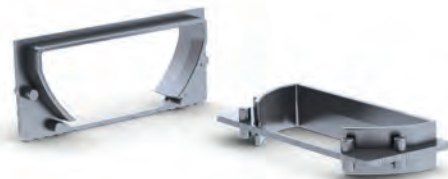
AL-PLW80N  
AB-PLW80



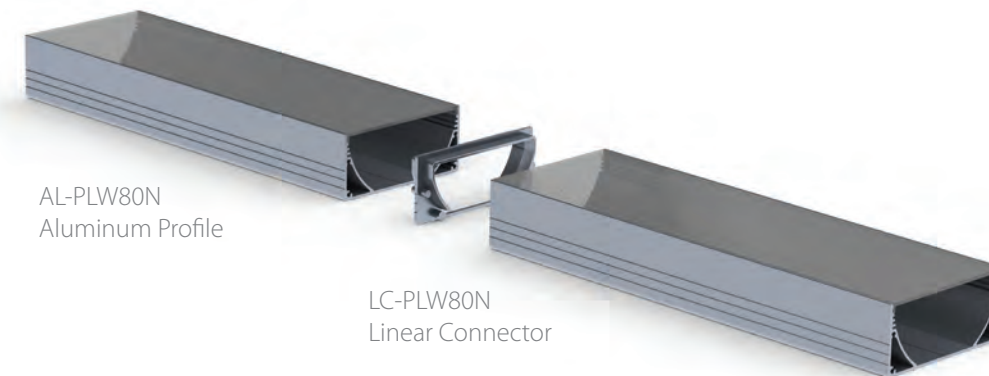
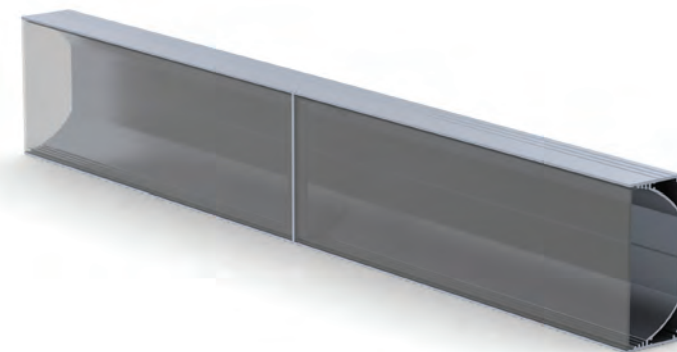
AL-PLW80N  
AB-PLW80  
EC-PLW80N



EC-PLW80N  
Aluminum end caps



LC-PLW80N  
Linear Connector

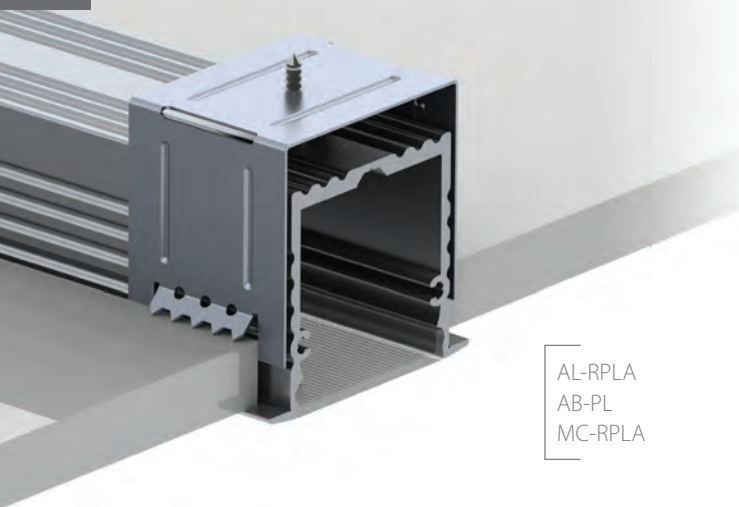


AL-PLW80N  
Aluminum Profile

LC-PLW80N  
Linear Connector







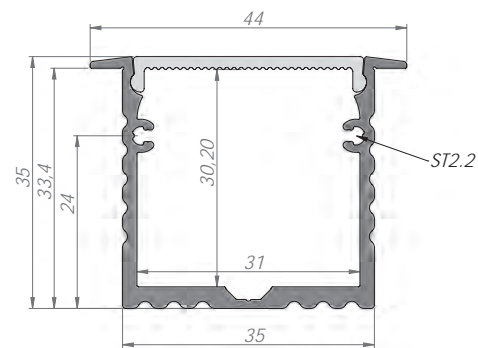
AL-RPLA  
AB-PL  
MC-RPLA

## RECESSED POWER LINE 35mm

RPLA; 35 x 35mm

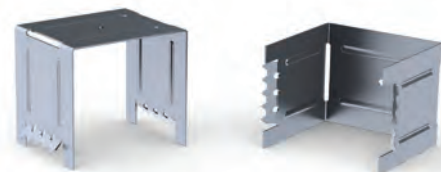
### FEATURES:

- High quality polycarbonate diffuser
- No LED dots shows on the diffuser surface
- Right high, soft and smooth light diffusion
- Diffuser is placed/removed from the top on click
- High quality anodized aluminum base
- Heavy duty "heat sink" for high power LEDs
- Compatible with our 30mm wide high power LED bars
- Matching finish end caps for this profile are available
- Gypsum ceiling installation
- Available in length of 1m, 2m or 3m with clear or frosted diffuser



### APPLICATIONS:

- Show rooms ceiling LED lighting
- Restaurants ceiling LED lighting
- Shopping malls LED lighting



MC-RPLA  
Mounting Bracket



EC-RPLA  
End Caps

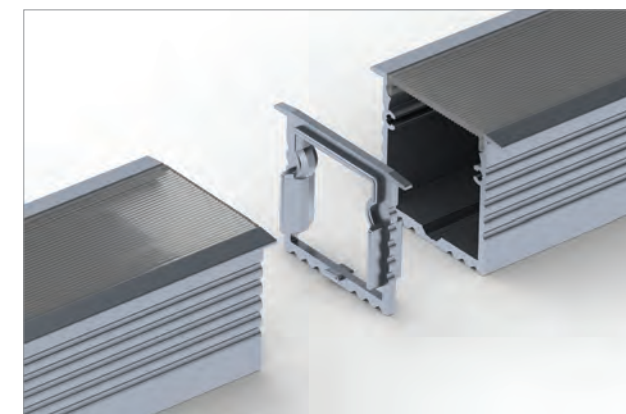
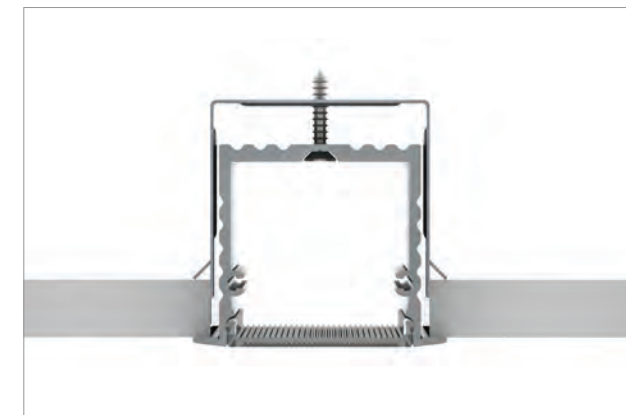
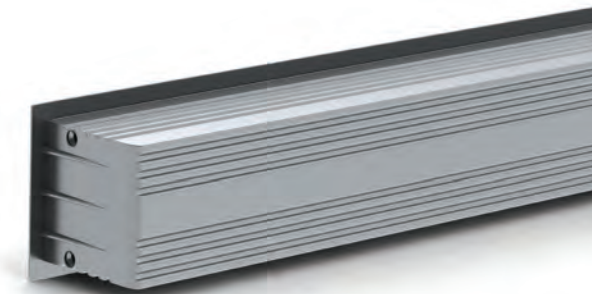


LC-RPLA  
Linear Connector

AL-RPLA  
AB-PL  
EC-RPLA

### DESCRIPTION

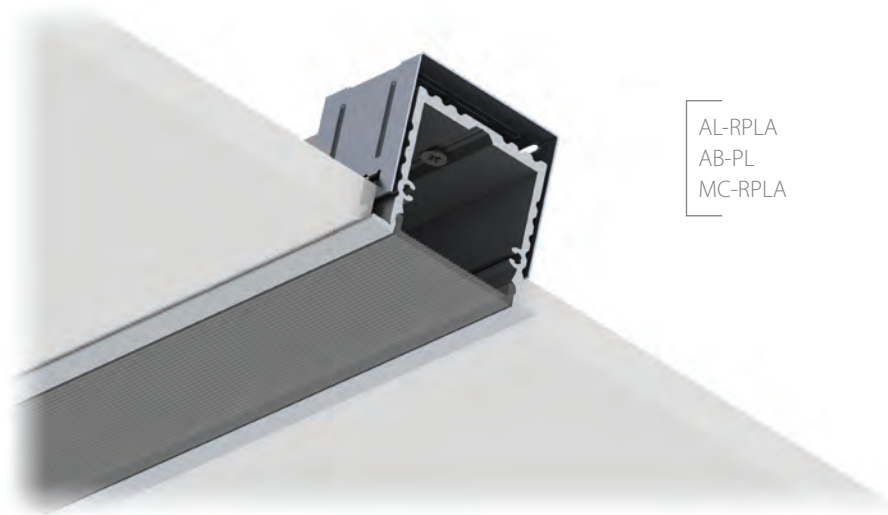
This profile is dedicated to build into the gypsum ceiling as the LED lighting fixture for main lighting at the offices, show rooms, restaurants and shops. It is made from anodized aluminum and is suitable for up to 32mm wide high power LED bars. Profile comes with polycarbonate UV resistant frosted or transparent diffuser placed and removed from the front on click. The light diffusion with the frosted diffuser is complete. RPLA35 is giving soft light on the whole surface. Profile is dedicated for the high power LED lighting. It is available in length of 1m or 2m.





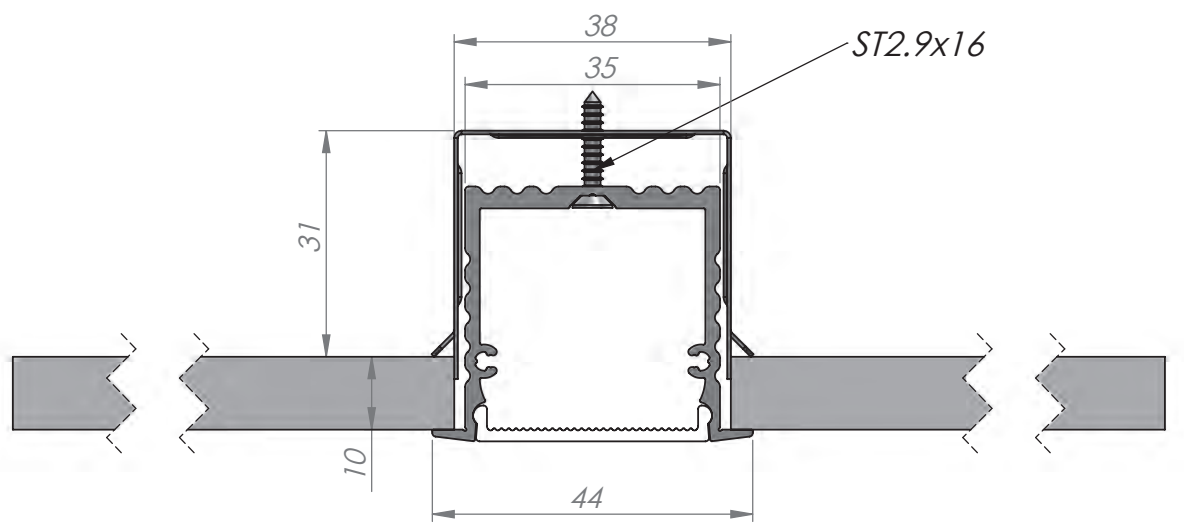
RECESSED POWER LINE 35 INSTALATION OPTIONS

Gypsum ceiling installation.



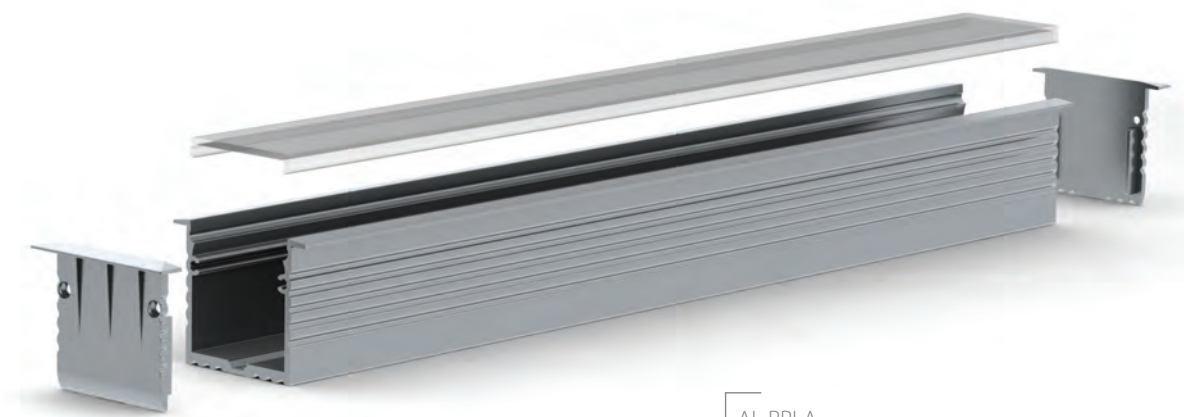
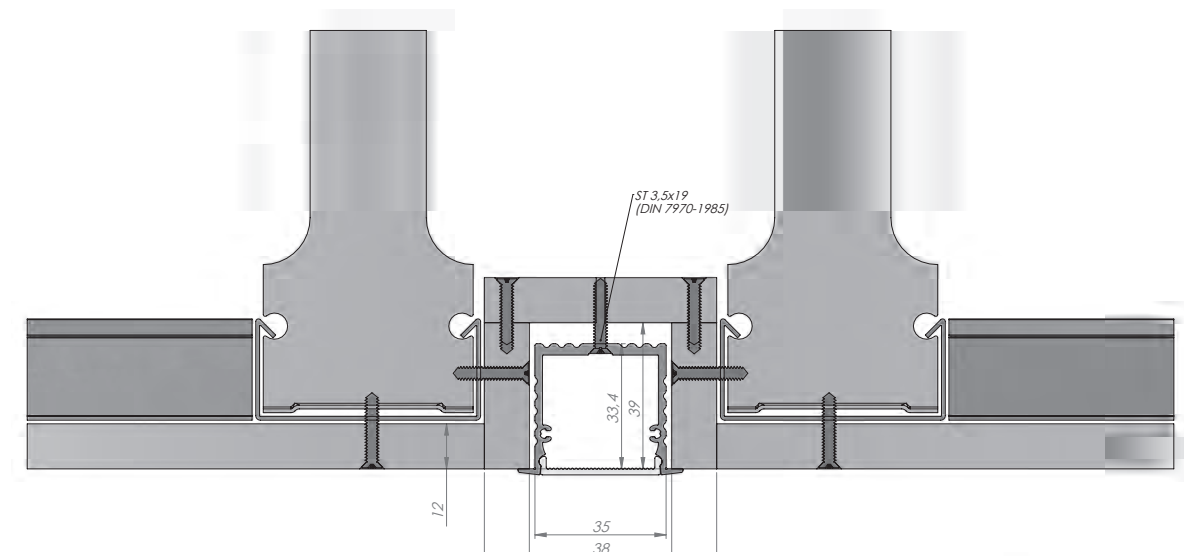
AL-RPLA  
AB-PL  
MC-RPLA

OPTION 1. W/OUT FIRE RESTRICTIONS



RECESSED POWER LINE 35 INSTALATION OPTIONS

OPTION 2. WITH FIRE RESTRICTIONS



AL-RPLA  
AB-PL  
EC-RPLA





AL-RO  
AB-RO

## ALU ROUND Ø24mm

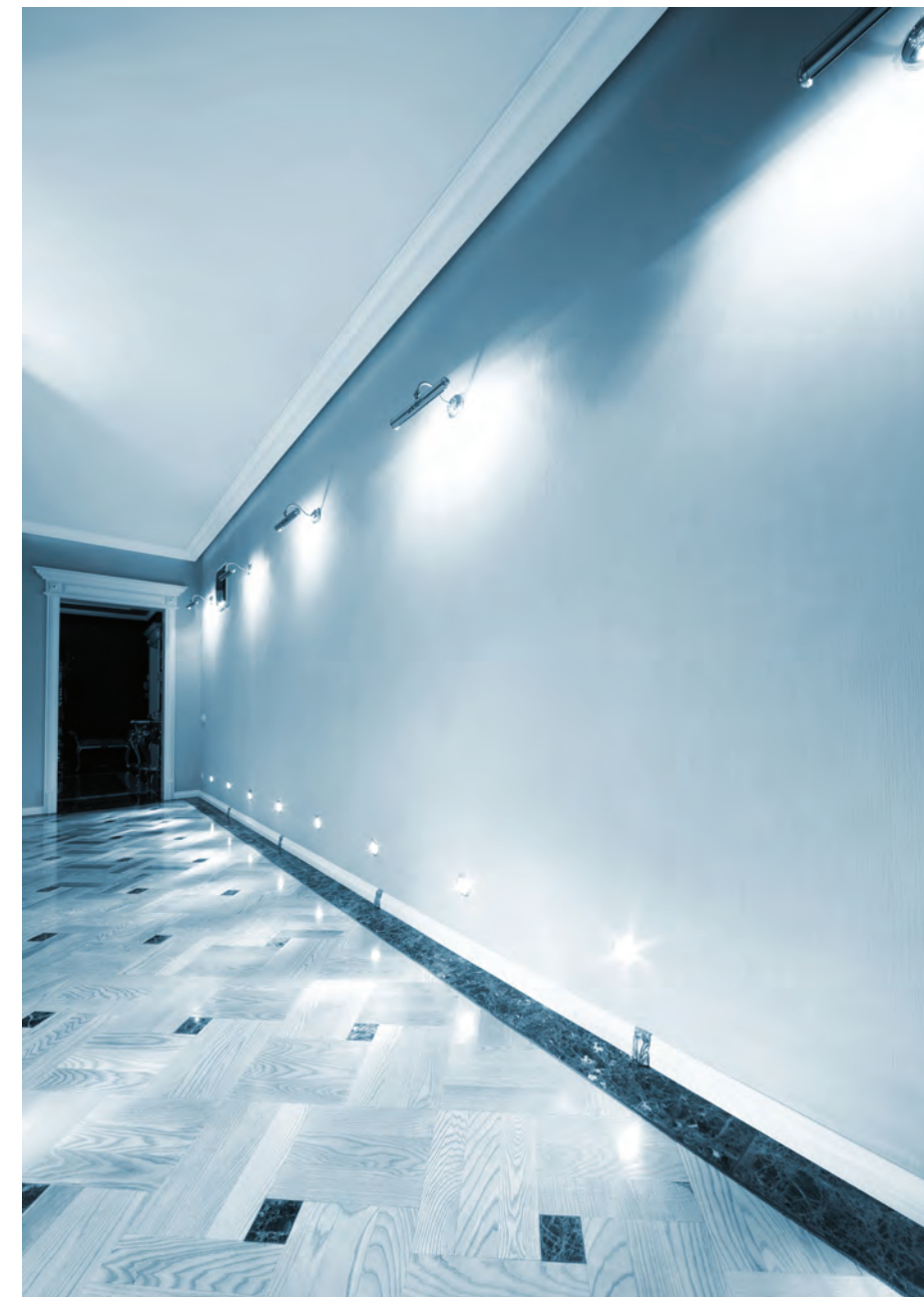
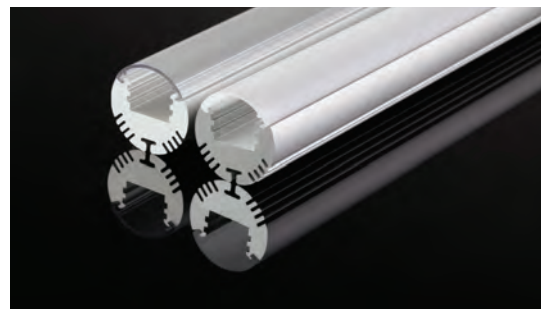
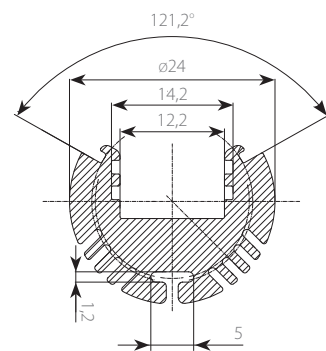
### ALU ROUND; Ø 24

#### FUTURES:

- High quality round shape polycarbonate diffuser
- Diffuser is placed/removed from the top on click
- High quality anodized aluminum base
- Heavy duty "heat sink" for high power LEDs
- Compatible with up to 12mm wide high power LED bars
- Available finish end cups and mounting system with angle regulation
- Two different installation options (wall or suspended)
- Available in length of 2m/1m with clear or frosted diffuser

#### APPLICATIONS:

- Hotels headboard bed reading lamp with angle regulation
- Show rooms track LED lighting
- Reception desk main LED lighting
- Restaurants above table main LED lighting
- Shopping boutiques exposition LED lighting



### DESCRIPTION

This is small round shape LED profile with round diffuser. It has been designed for high power led lighting. Massive aluminum weight provides excellent mechanical and thermal protection to the LEDs. The profile is made from anodized aluminum and it comes with round UV resistant polycarbonate clear or frosted diffuser. The installation of the diffuser is from the front on click. Installation and removing is easy and simple. It comes in 1m or 2m sections and is suitable for high power led lighting. The ALU-ROUND can be installed in the wardrobe or closet as the clothes rod led lighting, in the jewelry cases, refrigerated cabinets at the grocery store and other places.



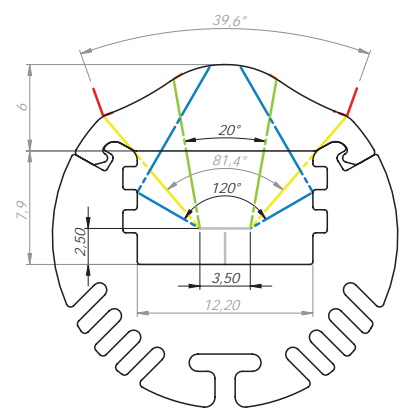




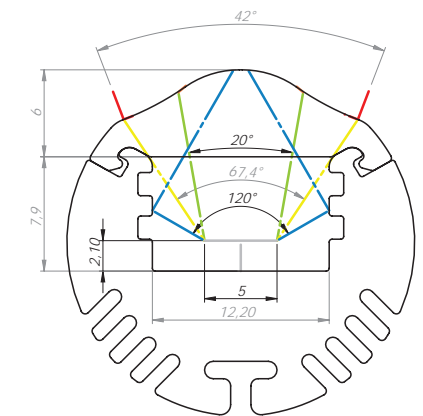
AL-RO  
AB-RO-LK2

# ALU-ROUND with 30° optic lens

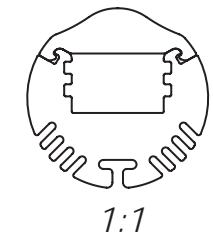
ALU ROUND; Ø 24



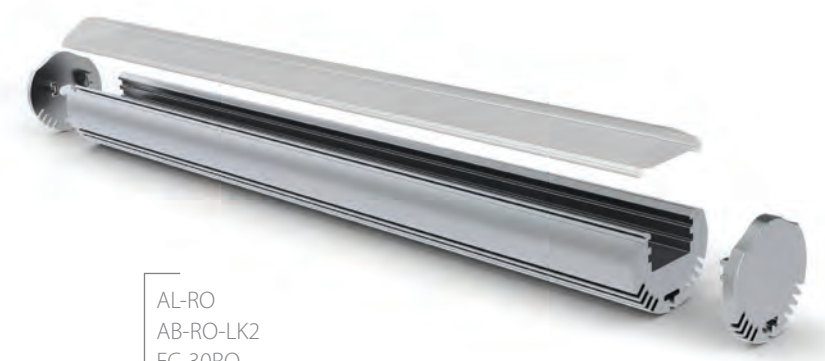
Alu-Round profile with 30° lens  
LEDs type 3528



Alu-Round profile with 30° lens  
LEDs type 5060



1:1  
fi=24



AL-RO  
AB-RO-LK2  
EC-30RO

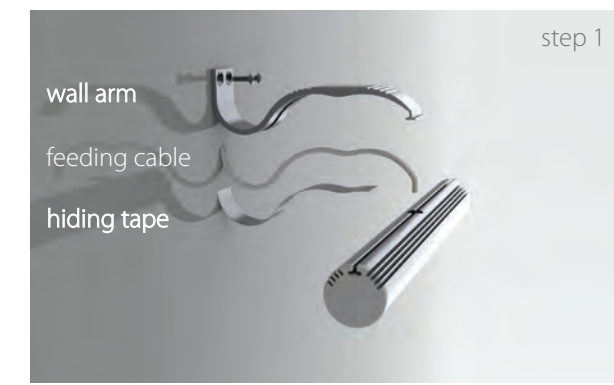


## ALU-ROUND ACCESSORIES / Wall-Arm

This is specially dedicated wall arm for the Alu-Round Led profile. The special material will draw behind the profile is allowing us to slide in the arm and hold firmly in place the LED fixture.

The power feeding cable was transferred to the profile thru the wall arm the best possible way.

The profile now can be installed at any place on the wall lighting up the wall or some objects standing next to. The design of the wall arm is matching with the design of the Alu-Round profile.



step 1



step 2

wall arm without hiding tape



step 3

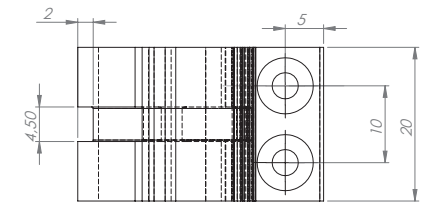
final look, wall arm with hidden feeding cable



MC-RO-WA  
cross section look

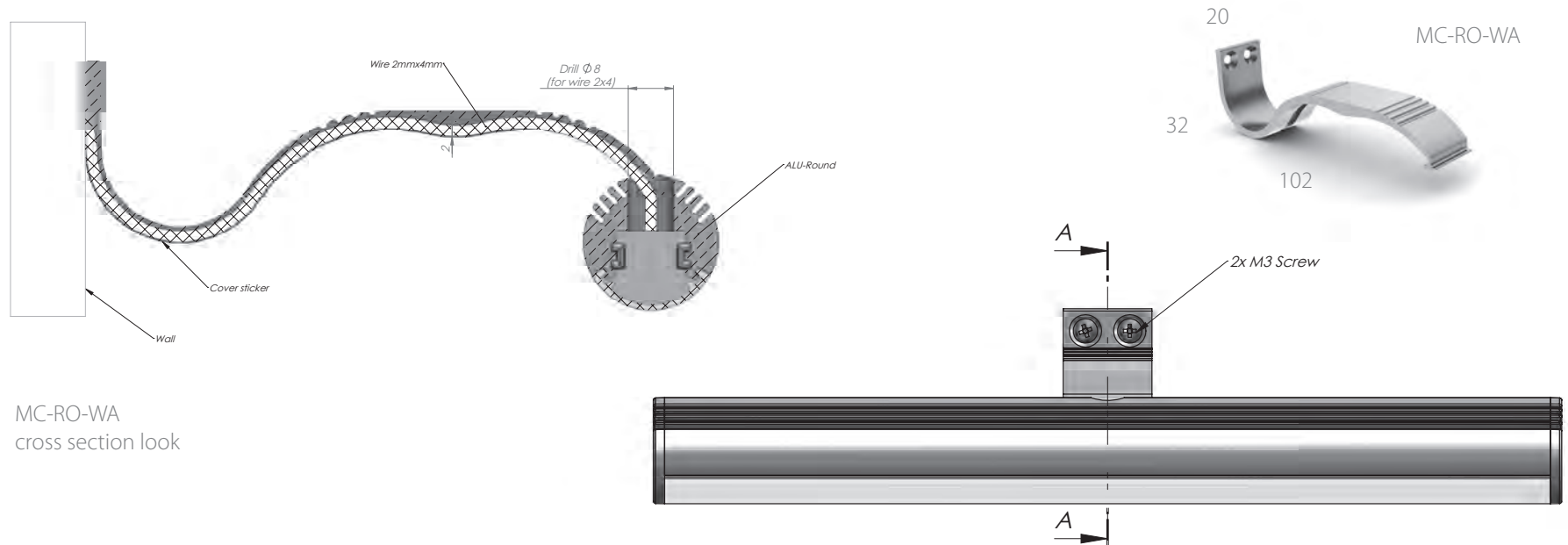


MC-RO-WA



scale 1:1





The main purpose for this arm is lighting from down or from above the objects such as art work, gallery, jewelry etc.

The light emitted by leds is directed in 45 degree angle.

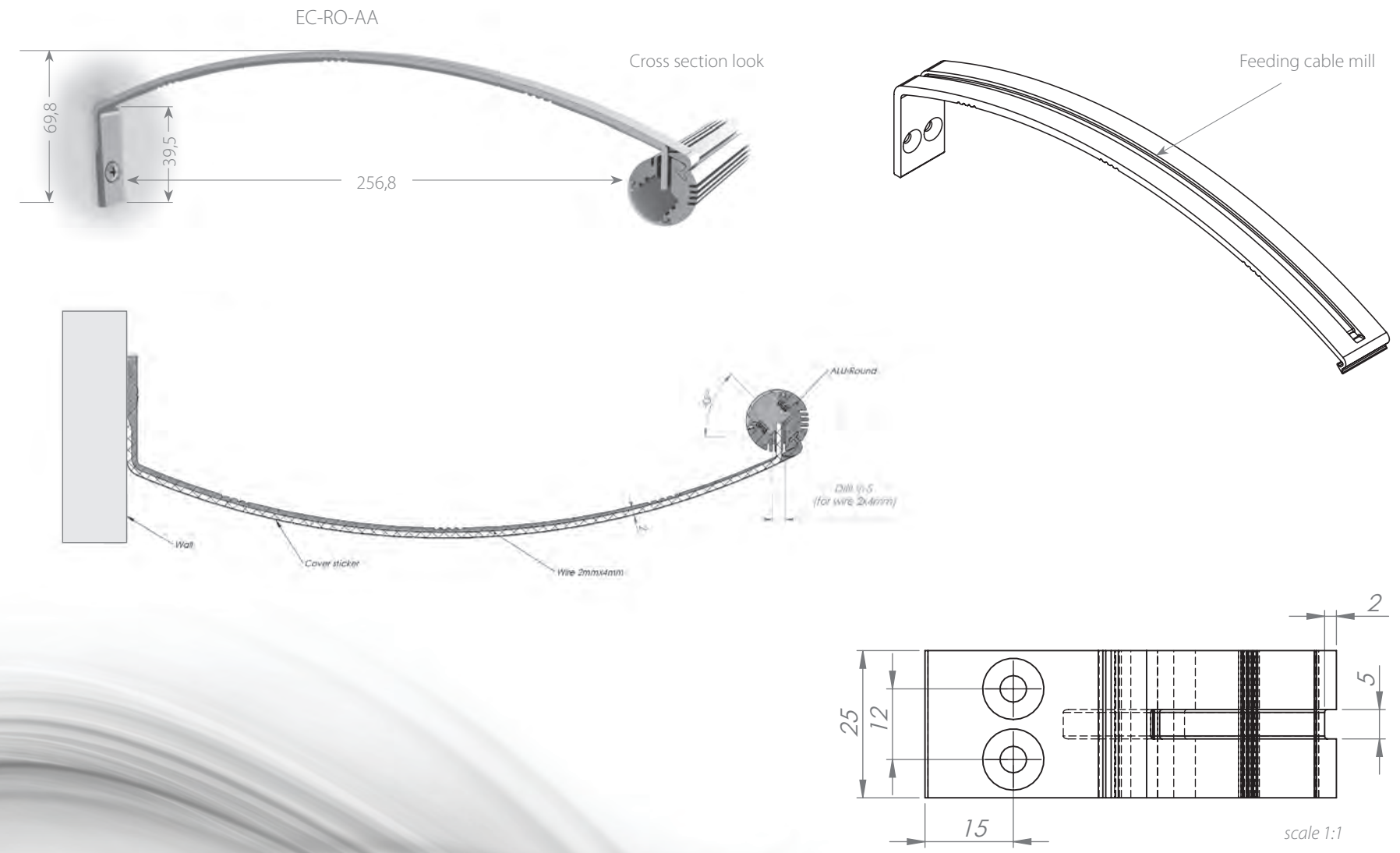
The arm is matching perfectly with the Alu-Round led profile.

The feeding cable is hidden in the arm and can be covered by the sticky aluminum imitating tape.





ALU-ROUND ACCESSORIES Art Lighting Arm

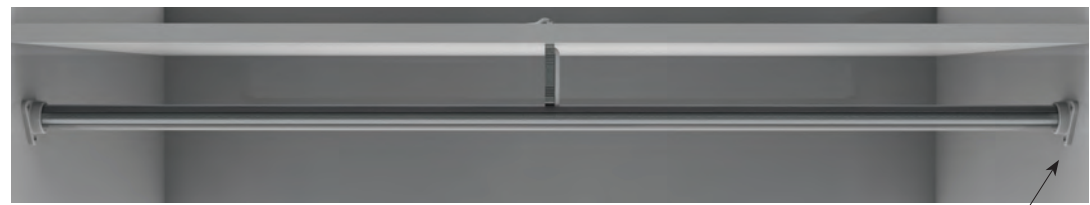


ALU-ROUND ACCESSORIES





ALU-ROUND ACCESSORIES Closet bracket for Alu-Round led profile

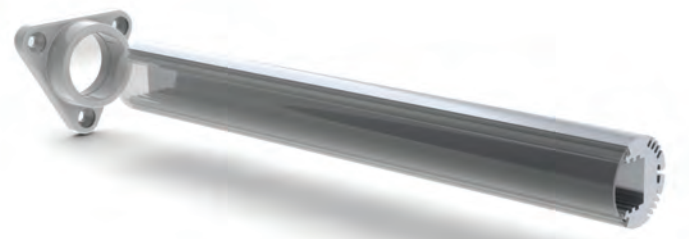


Wall to wall closet led rod (Alu-Round) installation

Closet brackets are made from special material which do not brake during the screwing or heavy load



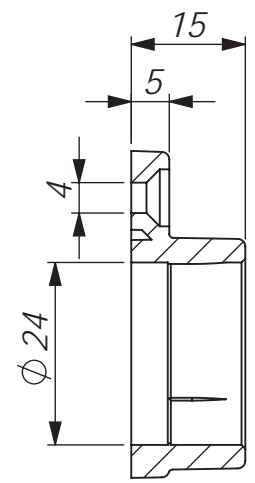
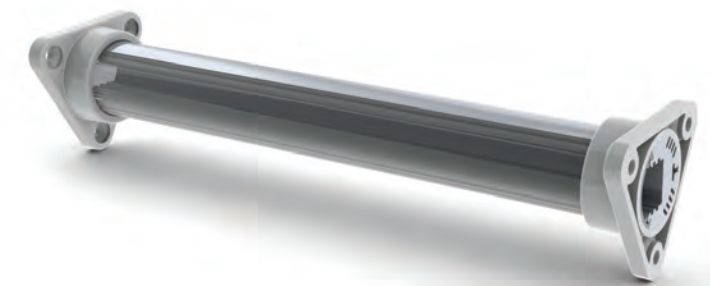
MC-R2 Closet Bracket



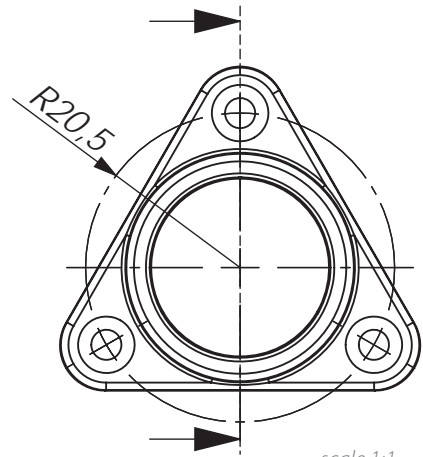
AL-RO



MC-R2

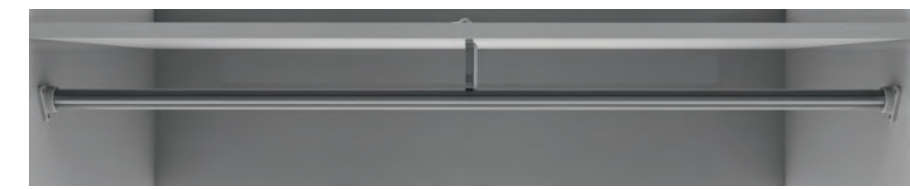


scale 1:1



scale 1:1

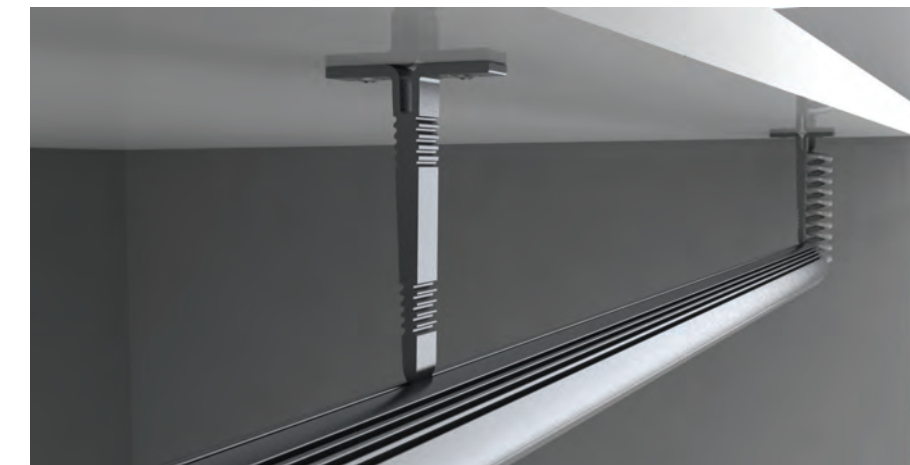
ALU-ROUND ACCESSORIES Intermediate support arm for Alu-Round led profile for closet mount



End mount type 1m of led profile (Alu-Round) at the closet with closet brackets and intermediate support arm



Stem mount of 1m led profile (Alu-Round) at the closet

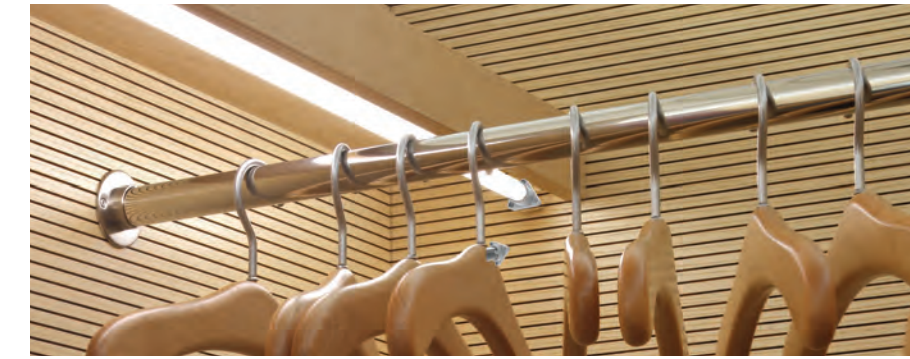


Stem mount type of led profile (Alu-Round) at the closet with intermediate support arm



End mount type - 2m of led profile Alu-Round at the closet with closet brackets and intermediate support arm

Maximum capability of weight handling per one arm is 25kg

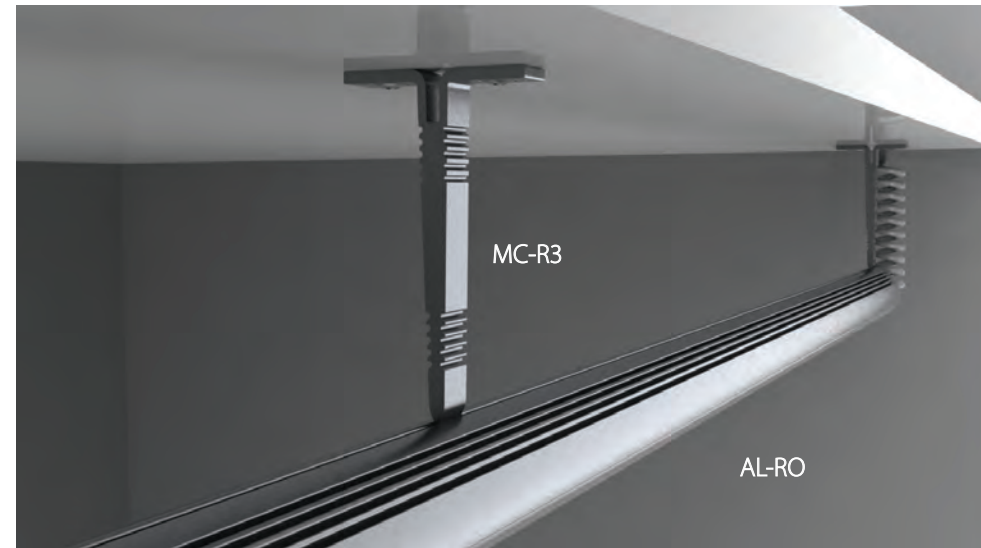


Alu-Round intermediate support arm MC-R3

scale 1:1



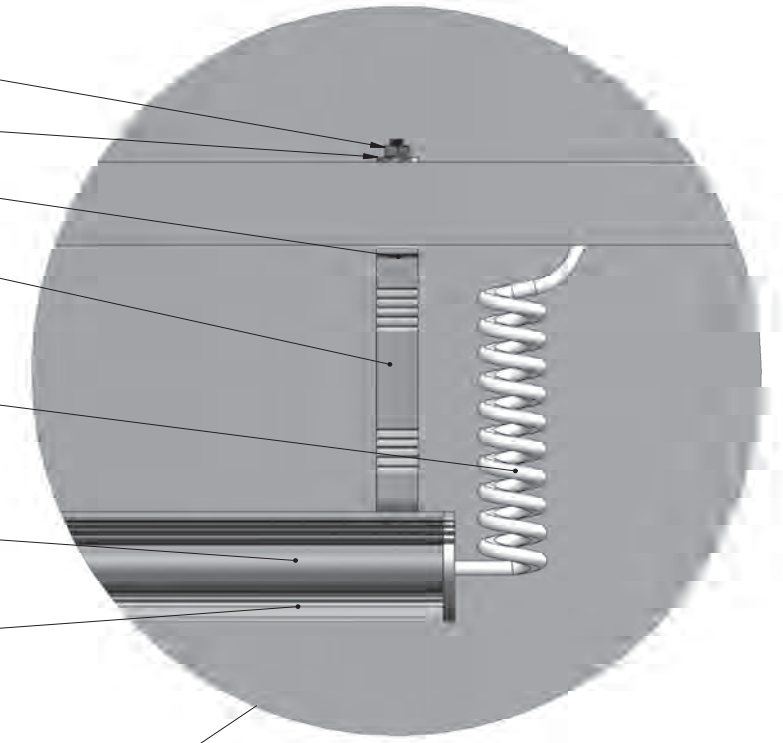
STEM MOUNT



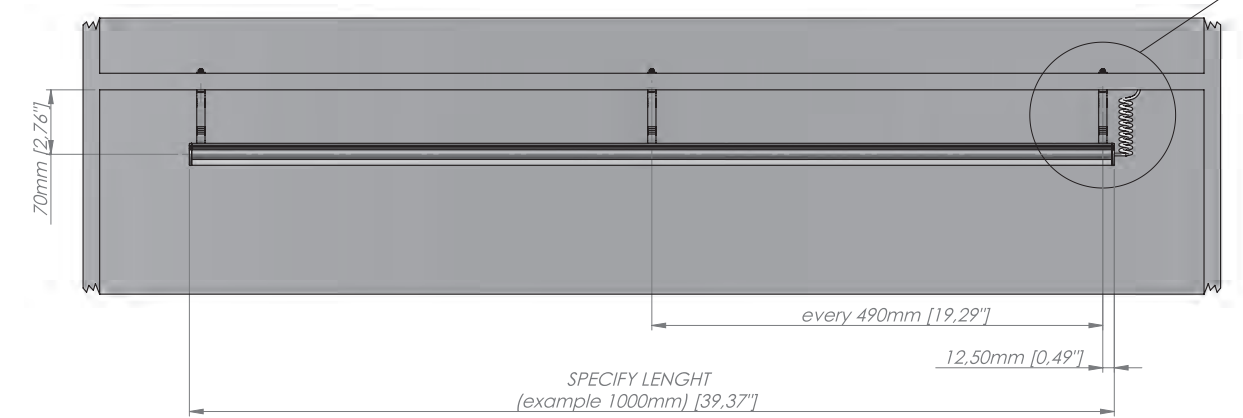
Maximum capability of weight handling per one arm is 25kg

STEM MOUNT

- Nut M3
- Washer M3
- Screw M3
- Closet bracket
- Feeding cable
- Housing
- Lens



Intermediate supports  
 Length : 100cm/39,4" - 3pcs  
 200cm/78,8" - 5pcs











AL-FL  
AB-SL



## ALU FLAT LED PROFILE

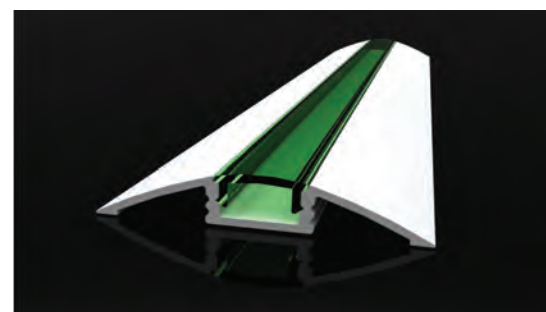
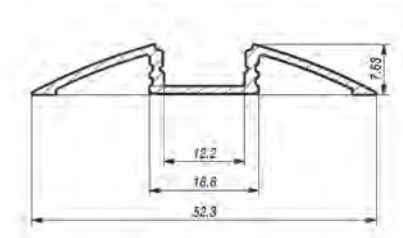
ALU FLAT; 7,63 x 52,3mm

### FUTURES:

- High quality diffuser now placed from the front on click
- Polycarbonate UV resistant, damage resistant (walk over safe)
- Diffuser available in transparent, 50% opal and opal
- Base of the profile is made in anodized aluminum
- Profile is available in lengths 1m, 2m or 3m (large quantity order)
- ALU-FLAT is suitable for low power and high power LEDs
- Simplicity in design with high quality finish
- Profile and diffuser is "walk over safe"
- Protection grade IP20

### APPLICATIONS:

- Under kitchen cabinets LED lighting
- Stores shelves LED lighting
- Floor LED lighting
- Storage shelves LED lighting
- Exhibition booth LED lighting
- Interior LED lighting



### DESCRIPTION

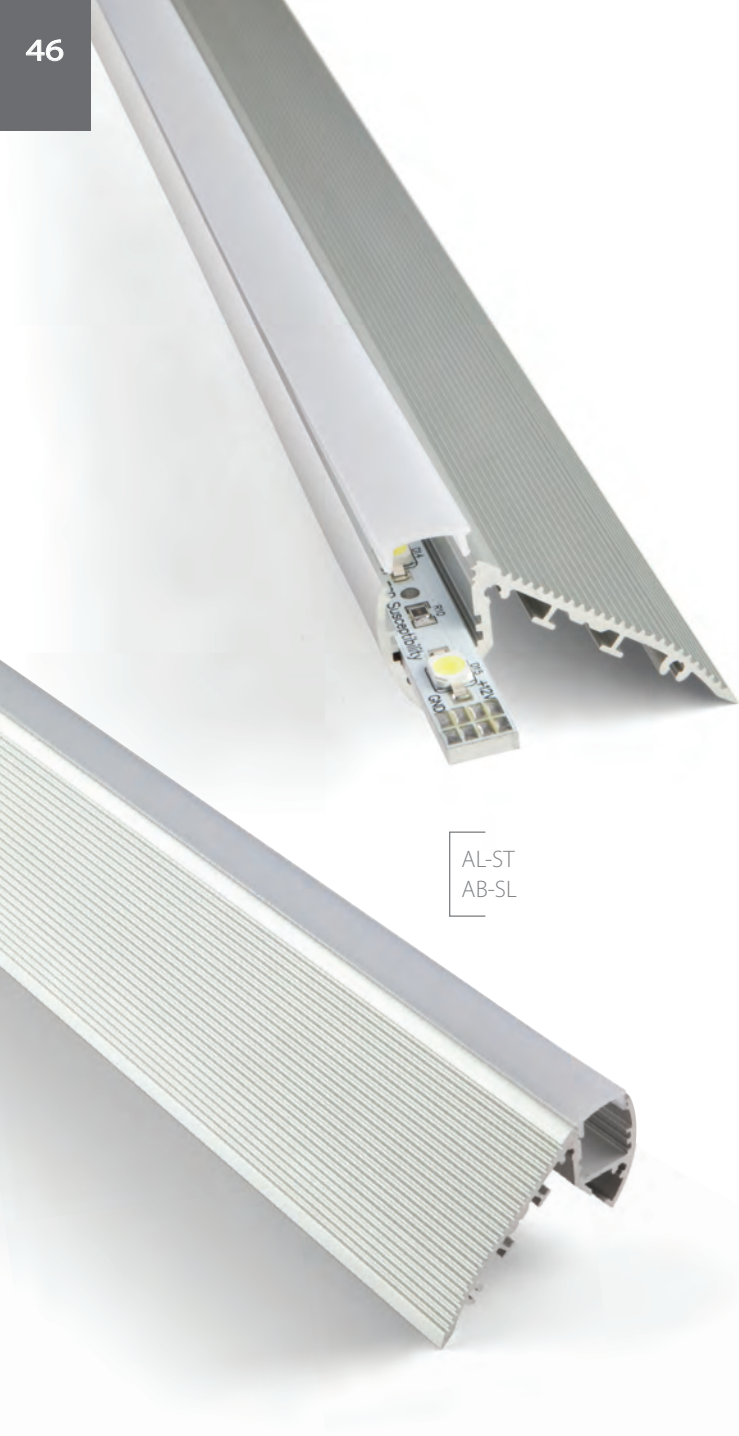
Aluminum LED profile only 7,6mm. The aluminum profile walls thickness and the damage resistant diffuser allow you to walk over this profile. It has been positively tested and is "walk over" safe. The profile is available in anodized version of aluminum and RAL9010. Profile comes with polycarbonate UV resistant, damage resistant diffuser, which now is placed, into the profile from front for click. The customer has choice of use transparent, 50% frosted and frosted diffuser. Profile provides mechanical and thermal protection (heat sink) to the LEDs and is suitable for high power LED lighting. The profile has many different applications it can work as under store shelves independent LED lamp or can be installed on the floor to cover the connection and provide additional protection for the computer cables.



### ALU-FLAT ACCESSORIES





AL-ST  
AB-SL

## ALU STAIR LED PROFILE

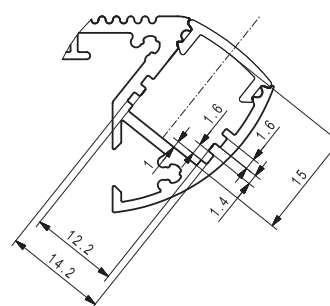
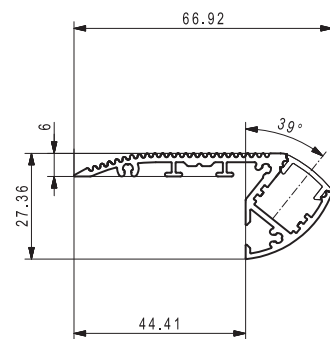
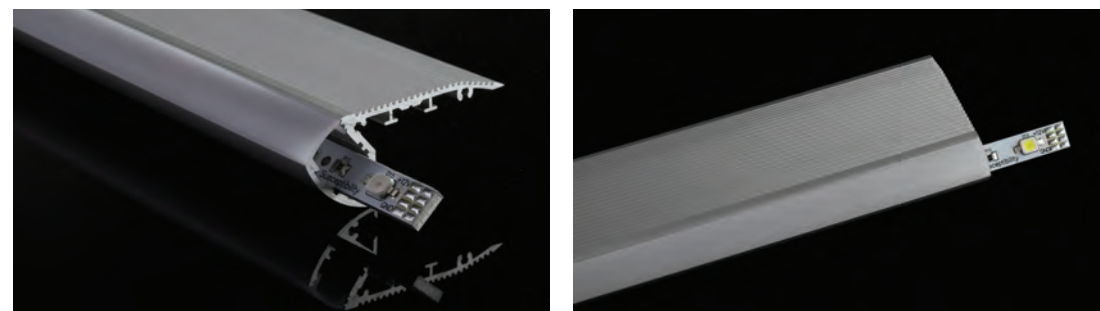
ALU STAIR; 66 x 27,5mm

### FUTURES:

- Hard aluminum alloy and special anodizing thickness
- High standard of anodizing aluminum
- High Quality UV resistant polycarbonate snap in diffuser
- Two different light diffusers to choice from, frosted (LEDs dots free) and transparent.
- LEDs DOTS FREE design (frosted diffuser)
- Stair installed LED profile with smooth line of light
- Suitable for standard or high power LED stripes up to 30W/m
- Available on stock in anodized silver color
- Possible isolation of the diffuser and end cap against water with transparent silicone
- Possible length and color customizing at MOQ
- Available on stock with dedicated end caps
- Indoor use only, IP20

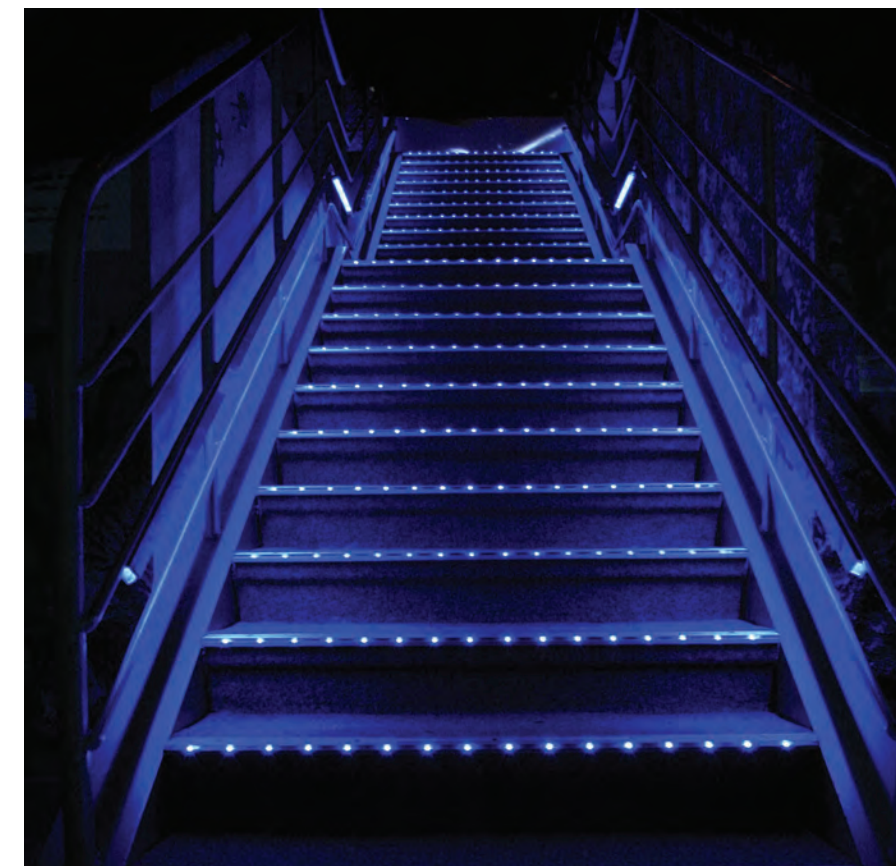
### APPLICATIONS:

- Stair LED lighting illumination
- Hotels, cinemas, restaurants, night clubs, stair LED lighting



### DESCRIPTION

Stair installed LED profile is designed for steps illumination in darker rooms. It has been made from hard anodized aluminum alloy for walk over safety and time ware out resistant. The profile is coming with choice of two high quality UV resistant, damage resistant snap-in diffusers in frosted and transparent. The frosted diffuser is "LEDs DOTS FREE" and is giving nice and soft smooth line of light on the whole diffuser surface. The profile LED chamber can accommodate standard or high power led stripes up to 12mm of the wideness. The profile can be installed inside or outside if connected with IP67 LEDs stripes and profile LED chamber will be silicone insulated against water. The available accessories such as end caps helps professionally finish the profile. Installation steps are fully explained in the PDF catalogue.



hard aluminum alloy,  
ware out resistant

free space for silicone  
insulation of the led  
chamber (option)

dots free led profile (frosted)  
12,2 mm wide led chamber

AL-ST  
AB-SL

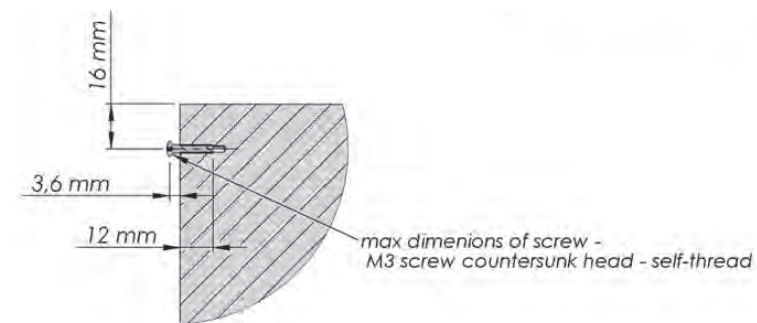
EC-SR  
end cap (left)

free space for silicone  
insulation of the led  
chamber (option)

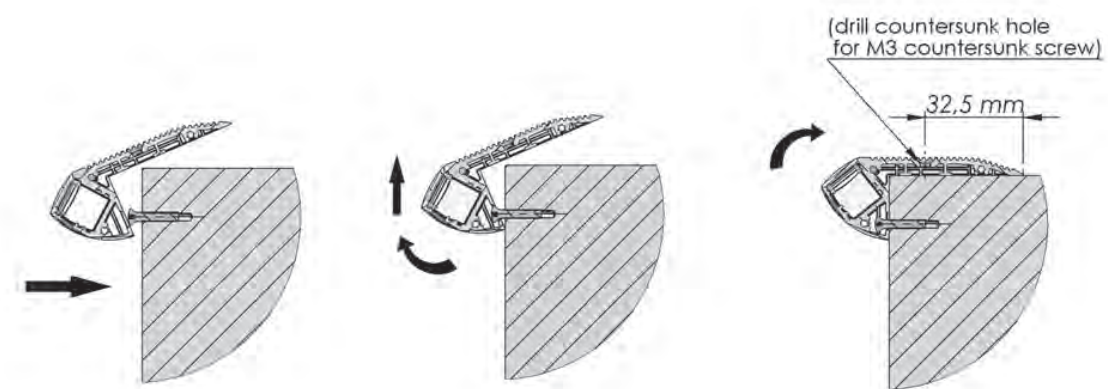
AL-ST  
AB-SL  
EC-SR



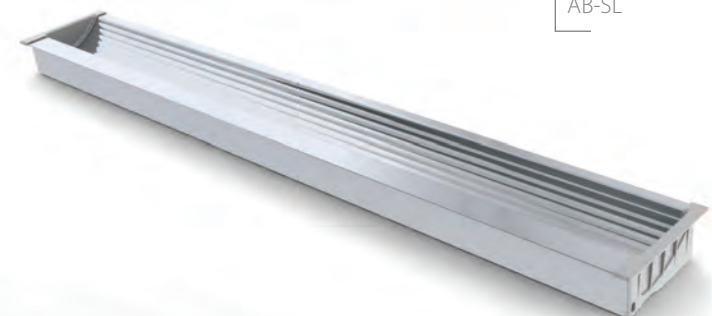
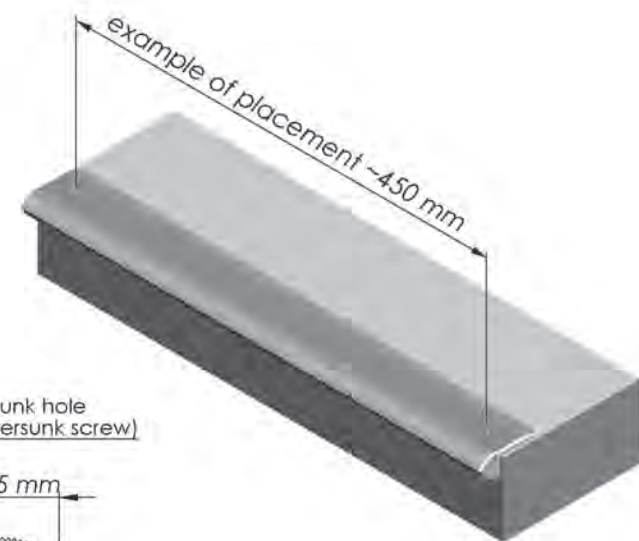
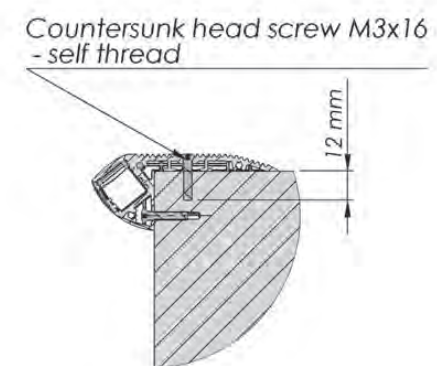
STEP 1



STEP 2



STEP 3

AL-WL  
AB-SL  
EC-WL

## ALU-WALL LED PROFILE

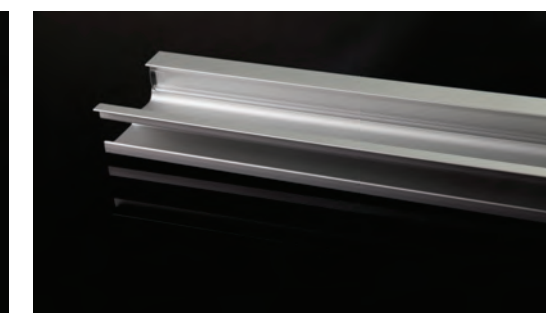
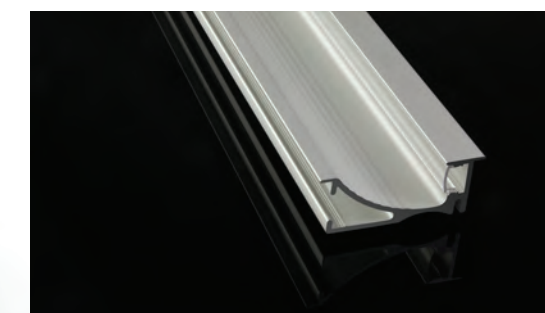
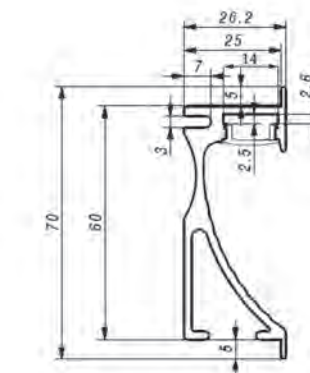
ALU-WALL; 26,2 x 70mm

FUTURES:

- Asymmetric, wall installed LED profile for floor LED lighting
- High standard of anodizing aluminum surface
- High Quality UV resistant polycarbonate snap in diffuser
- Two different light diffusers to choice from, frosted or transparent.
- Minimalistic design
- Extra LED heat silk capability of the profile (up to 30W/m)
- Available on stock in anodized silver color
- Suitable for high power or low power LED stripes
- Possible length and anodizing color customizing at MOQ
- Available on stock with dedicated finish end caps
- Indoor and outdoor use (outdoor with IP67 leds)

APPLICATIONS:

- Asymmetric, wall build-in type LED profile for floor LED lighting
- Floor hallways LED lighting profile
- Perfect for hotels hallways, restaurant, hospitals, underground
- Walkways LED lighting





DESCRIPTION

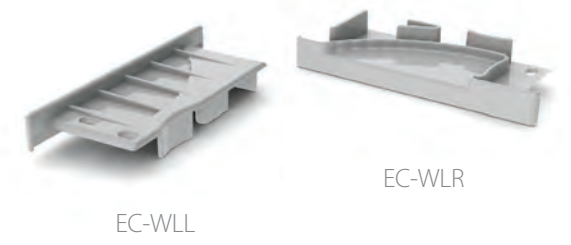
Asymmetric, High Quality anodized aluminum LED profile which has been design to instal into wall and the light is directed to the floor.

It is perfect solution for floor LED lighting of long walking area such as hotels hallways, underground subway stations, shopping malls, museum hallways, building fasade. The profile can be use inside or outside with connection of IP67 LEDs inside. The LED profile is dedicated for the standard LED stripes up to 12mm of wideness. The profile is coming with choice of two high quality UV resistant, damage resistant snap-in diffusers, frosted and transparent. The aluminum profile it is performing as the heavy heat sink to the LEDs [0,9kg/m] and also presents itself as the nice, stylish and professionally looking housing. ALU-WALL is suitable for high power [up to 30W/m] or low power LEDs. It is available on stock with related accessories such as end caps which helps professionally finish the profile. Installation options are fully explained in the PDF catalogue.



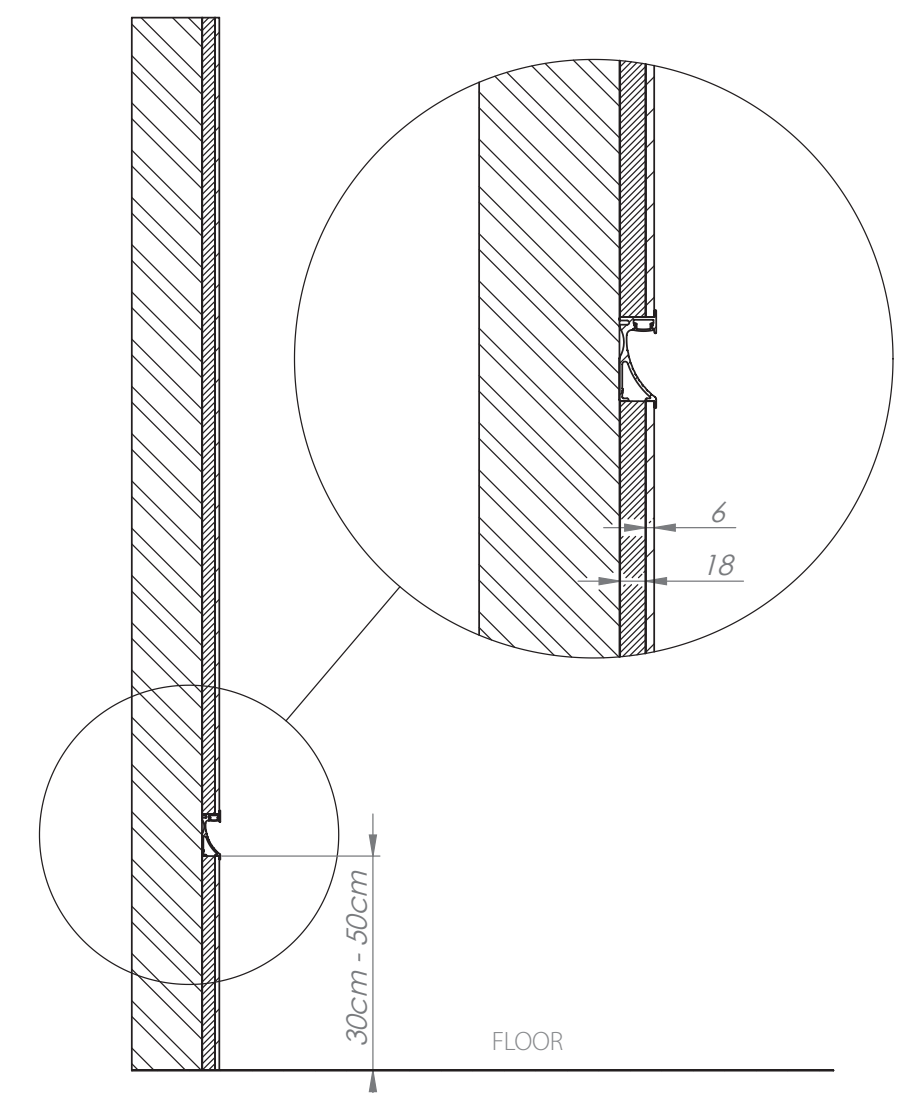
Wall installed led profile  
2m units only

- AL-WL
- AB-SL
- EC-WL



ALU-WALL INSTALATION OPTIONS

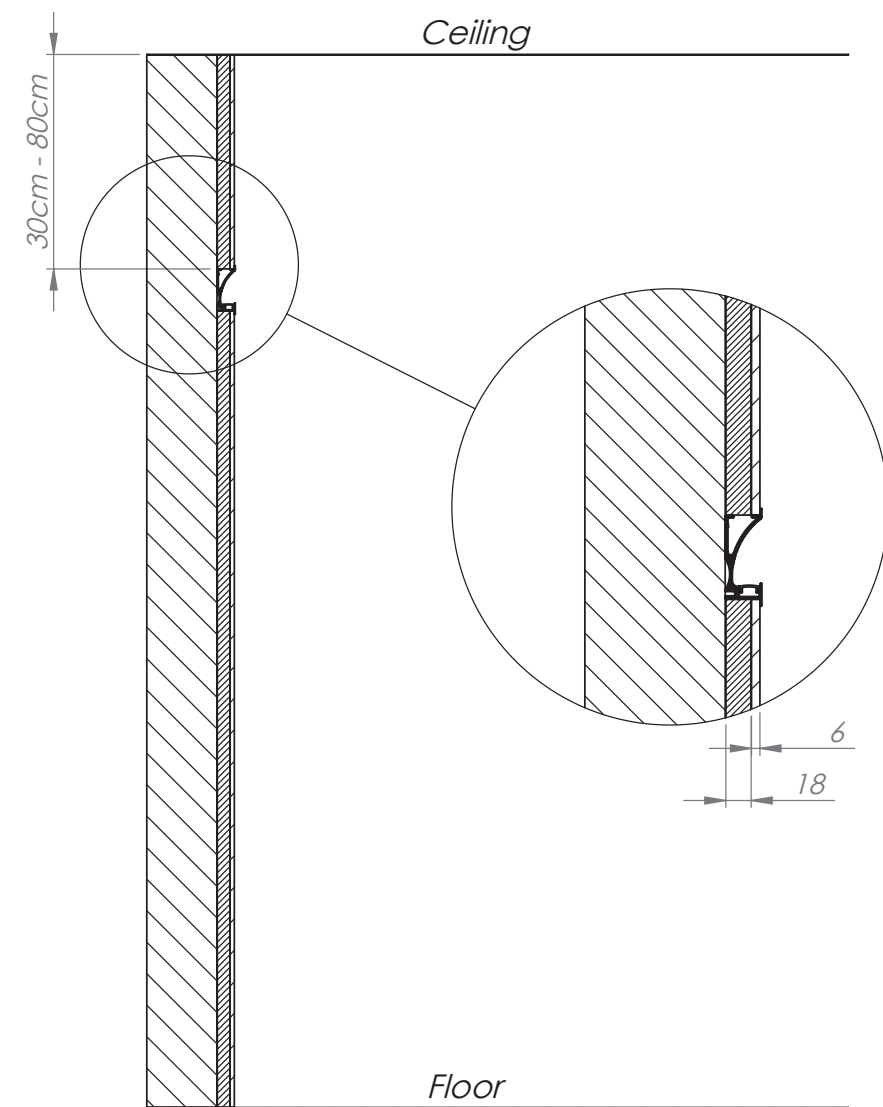
INSTALATION OPTION No. 1





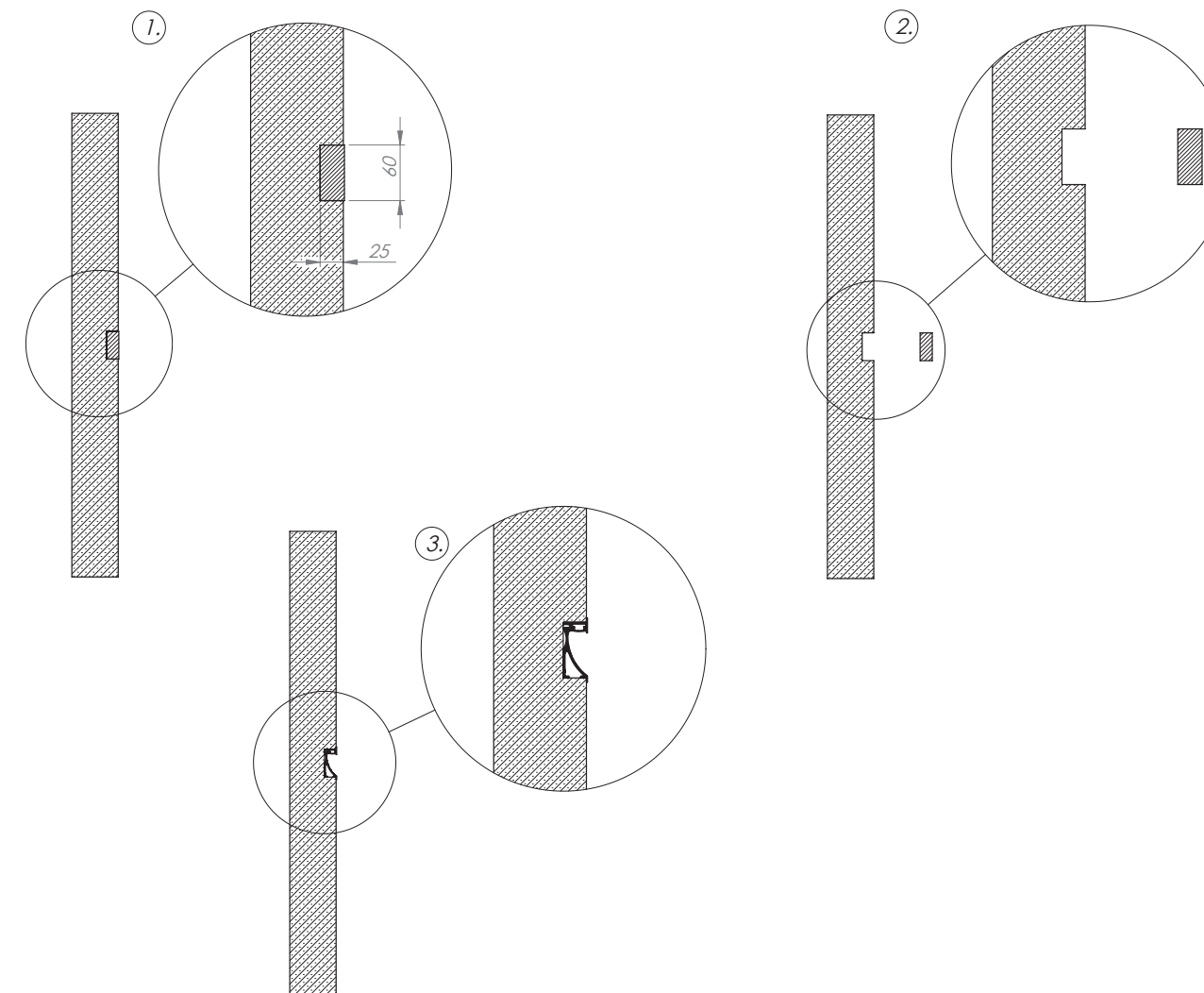
## ALU-WALL INSTALLATION OPTIONS

## INSTALLATION OPTION No. 2

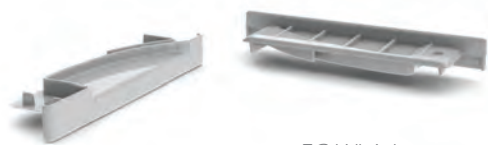


## ALU-WALL INSTALLATION OPTIONS

## INSTALLATION OPTION No. 3





AL-WLA  
AB-WLAEnd cap feeding cable  
hole is adapted for 1/8"  
pipe connectorAL-WLA  
AB-WLA  
EC-WLA-LEC-WLA-R  
End cap rightEC-WLA-L  
End cap left

## ALU-WALL US LED PROFILE

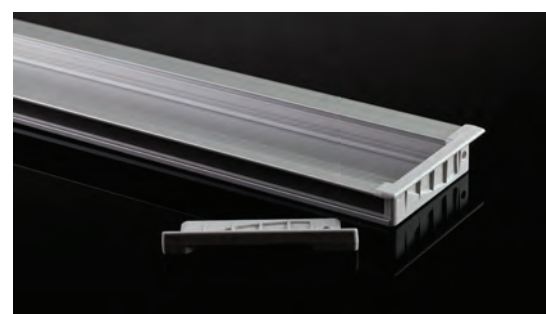
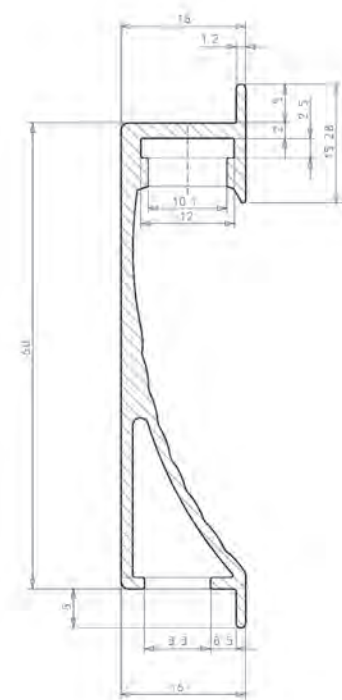
ALU-WALL US; 16 x 70mm

### FUTURES:

- Floor LED lighting profile for wood structure walls to build-in
- High standard of anodizing aluminum surface
- High Quality UV resistant polycarbonate snap in diffuser
- Two different light diffusers to choice from, frosted or transparent.
- Minimalistic design
- Extra LED heat silk capability of the profile (up to 30W/m)
- Available on stock in anodized silver color
- Suitable for high power or low power LED stripes
- Possible length and anodizing color customizing at MOQ
- Available on stock with dedicated finish end caps
- Indoor and outdoor use (outdoor with IP67 leds)

### APPLICATIONS:

- Floor LED lighting profile for wood structure walls to build-in (US,Canada)
- Floor hallways LED lighting profile
- Perfect for hotels hallways, restaurant, hospitals, underground
- Walkways LED lighting



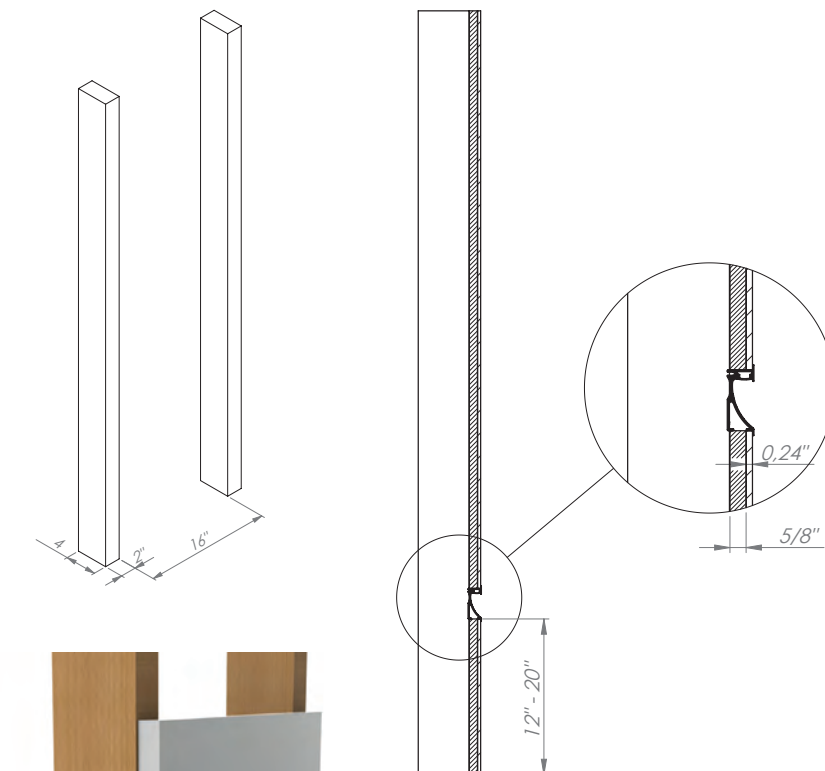
### DESCRIPTION

Asymmetric, anodized aluminum LED profile which is dedicated for build-in into the wood structure walls and direct the LED light to the floor.

The thickness of the profile [16mm] is about the same as the standard wood plywood sheets used for wall construction at US or Canada. The profile itself is modification of the standard ALU-WALL profile and adaptation for different buildings, houses and walls construction structure at some places in the world. The other parameters and product functions are the same like for standard ALU-WALL LED profile.



### ALU-WALL US INSTALATION OPTIONS







AL-SLW8  
AB-SLW



AL-SLW8  
AB-SLW  
MC-SLW8  
EC-SLW8



EC-SLW8  
End Caps

MC-SLW8  
Mounting Bracket

## SLIM LINE WIDE 8mm

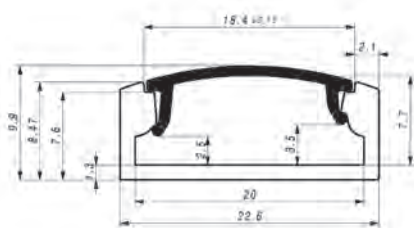
SLW8; 8 x 22,6mm

### FUTURES:

- High standard of anodizing aluminum surface
- High Quality UV resistant polycarbonate snap in diffuser
- Two different light diffusers to choice from, frosted or transparent.
- Reduced light lost design
- Small dimensions only 8mm high
- Extra space inside the profile (20mm) for IP67 led ribbons, RGB or double row LED stripe
- Available on stock in anodized silver color
- Possible length and color customizing at MOQ
- Available with dedicated accessories such as end caps and mounting brackets
- Indoor use only, IP20

### APPLICATIONS:

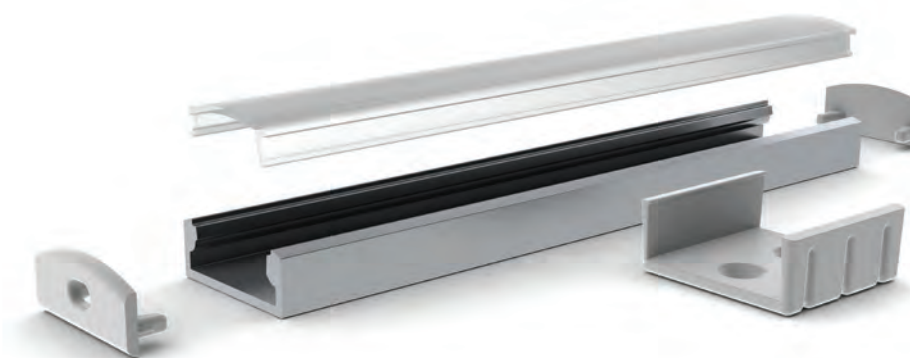
- Led lamps
- Retail store shelf LED lighting
- Kitchen cabinets LED lighting
- Exhibitions, hotels, restaurants LED lighting
- Interior design linear LED lighting



### DESCRIPTION

Slim Line Wide 8mm, surface mount profile has been design and made for wider then standard (10/12mm) LED stripes.

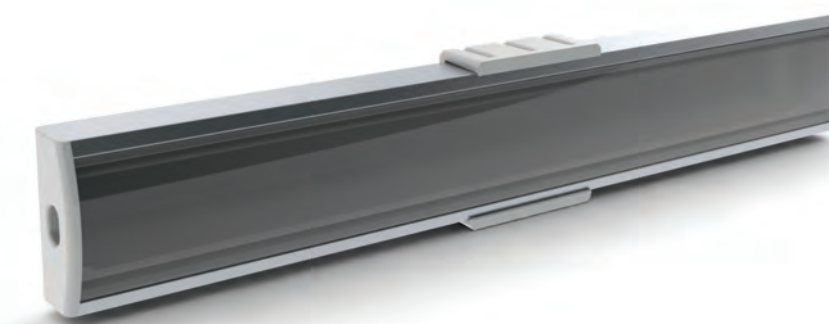
The wideness inside the profile is 20mm and can accommodate any type of the led stripes available on the market such as double row LED stripes, RGB strips, digital RGB ribbons or waterproof ribbons in single color or RGB version which do not fit into standard profile. The wide diffuser is not cutting down the angle of the LEDs and presents itself as the quality product. The profile it is available with two snap-in UV resistant diffusers, frosted and transparent. The larger amount of aluminum it is performing as the heat sink to the LEDs and also appears as the nice looking housing. The installation can be easily and professionally finish with available accessories such as end caps and mounting brackets.



EC-SLW8

AL-SLW8

MC-SLW8





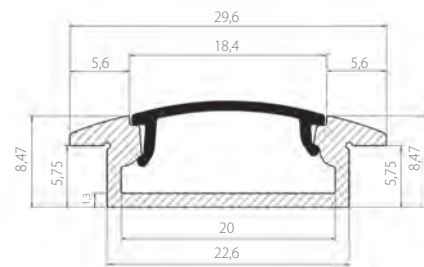
AL-RSLW8  
AB-SLWEC-RSLW8  
End Caps

## RECESSED SLIM LINE WIDE 8mm

RSLW8; 8,47 x 29,6mm

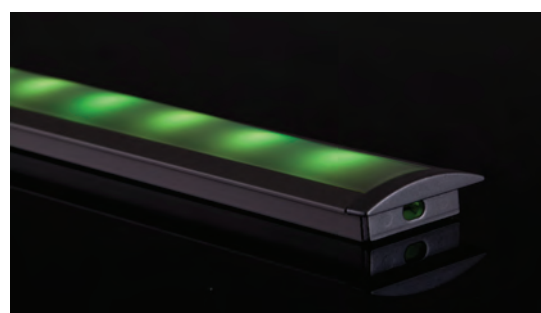
### FUTURES:

- High standard of anodizing aluminum surface
- High Quality UV resistant polycarbonate snap in diffuser
- Three different light diffusers to choice from, frosted, 50% frosted and transparent.
- Reduced light lost design
- Small dimensions only 8mm high
- Extra space inside the profile (20mm) for IP67 led ribbons, RGB or double row LED stripe
- Available on stock in anodized silver color
- Suitable for low power LED stripes
- Possible length and color customizing at MOQ
- Available with dedicated finish end caps
- Indoor use only, IP20



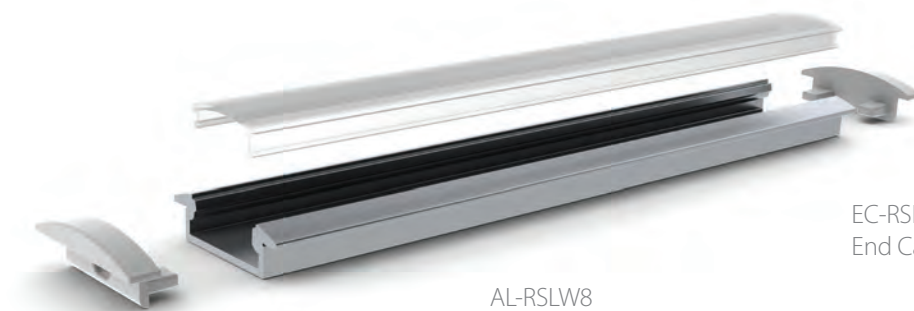
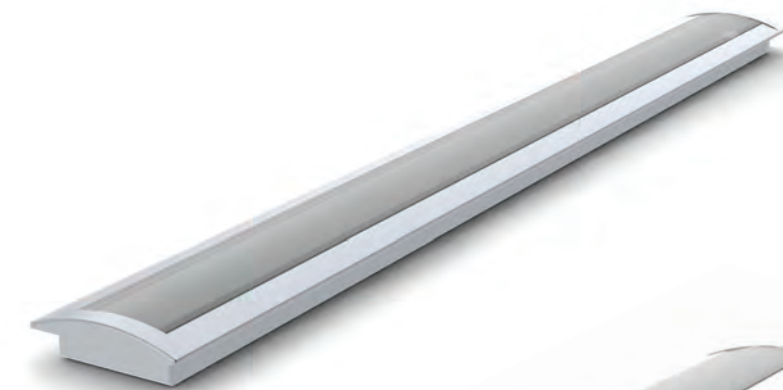
### APPLICATIONS:

- Build-in type LED profile
- Retail store build-in shelf LED lighting
- Kitchen cabinets build-in LED lighting
- LED profile for floor, wall, ceiling build-in LED lighting
- Exhibition stands, hotels, restaurants LED lighting
- Interior design LED lighting

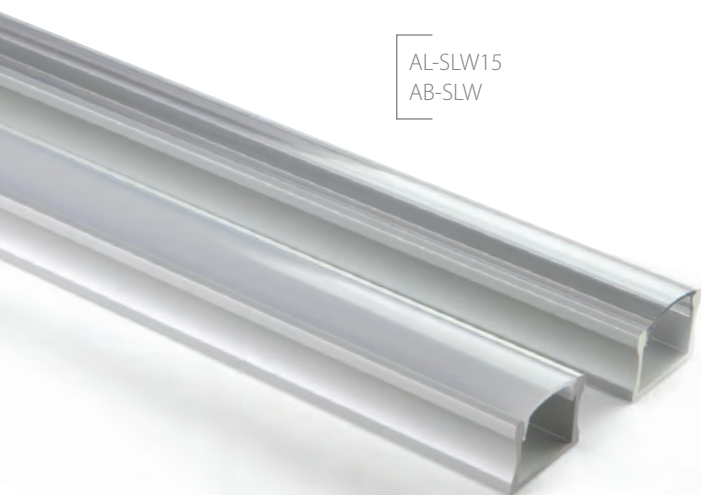


### DESCRIPTION

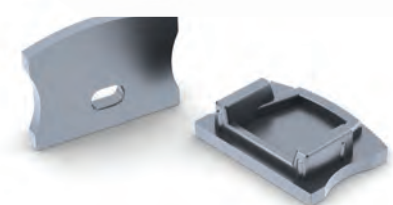
Recessed Slim Line Wide 8mm is the version of the LED profile for build-in into material. The profile can be recess into any kind of surface and the expending to the sides the profile "wings" covers the mill row completely. This type of profile is often use for build-in underneath kitchen cabinets led lighting, retail store shelf lighting. The profile itself is generally dedicated for wider then standard (10/12mm) LED stripes. The wideness inside the profile is 20mm and can accommodate any type of the led stripes available on the market such as double row LED stripes, RGB strips, digital RGB ribbons or waterproof ribbons in single color or RGB version which do not fit into standard profile. The wide diffuser is not cutting down the angle of the LEDs and presents itself as the quality product. The profile it is available with two snap-in UV resistant diffusers, frosted and transparent. The larger amount of aluminum it is performing as the heat sink to the LEDs and also appears as the nice looking housing. The installation can be easily and professionally finish with available accessories such as aluminum end caps.

EC-RSLW8  
End CapAL-RSLW8  
Aluminum ProfileEC-RSLW8  
End Cap





AL-SLW15  
AB-SLW



EC-SLW15  
End Caps



MC-SLW15  
Mounting Bracket

## SLIM LINE WIDE 15mm

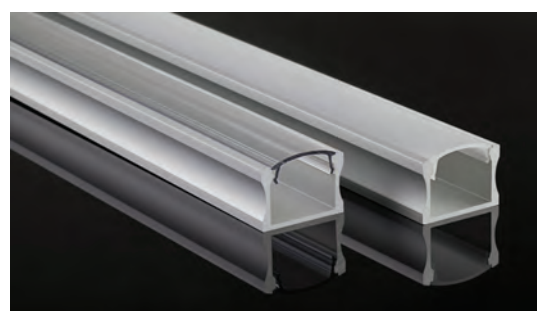
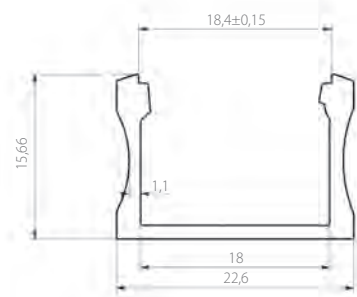
SLW15; 15 x 22,6mm

### FUTURES:

- High standard of anodizing aluminum surface
- High Quality UV resistant polycarbonate snap in diffuser
- Two different light diffusers to choice from, frosted (LEDs dots free) and transparent
- LEDs dots free diffuser (frosted diffuser)
- Small dimensions only 15mm high
- Extra space inside the profile (18mm) for IP67 led ribbons, RGB or double row LED stripe
- Available on stock in anodized silver color
- Suitable for high power LED stripes up to 30W/m
- Possible length customizing at MOQ
- Available with dedicated finish end caps and mounting bracket
- Indoor use only, IP20

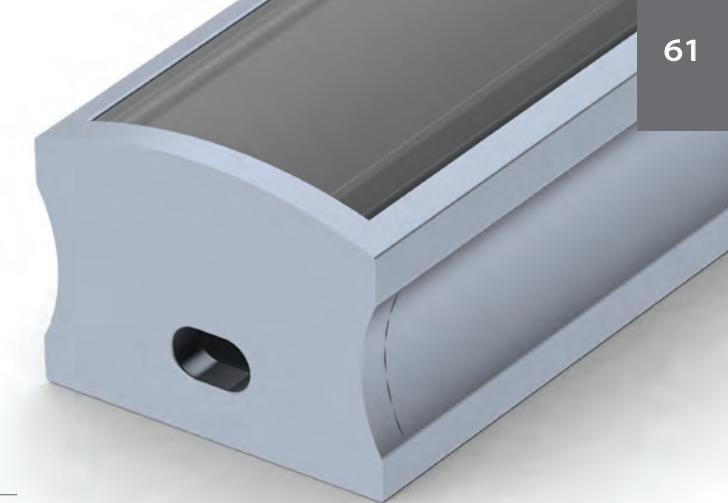
### APPLICATIONS:

- Led lamps
- Retail store shelf LED lighting
- Kitchen cabinets LED lighting
- Exhibitions, hotels, restaurants LED lighting
- Interior design linear LED lighting



### DESCRIPTION

Slim Line Wide 15mm surface mount profile is "LEDs DOTS FREE" design which deliver nice soft and smooth light diffusion on the whole surface of the diffuser. In principles of the design it has been made for wider then standard (10/12mm) LED stripes. The wideness inside the profile is 18mm and can accommodate any type of the LED stripes available on the market such as double row LED stripes, RGB strips, digital RGB ribbons or waterproof ribbons in single color or RGB version which wideness is bigger then 12mm and do not fit into standard profiles. The wide diffuser is not cutting down the angle of the LEDs that and presents itself with the aluminum body as the quality product. The profile it is available with two snap-in UV resistant diffusers, frosted and transparent. The larger amount of aluminum it is performing as the heat sink to the LEDs and also appears as the nice looking housing. The available accessories for SLW15 LED profile such as end caps and mounting brackets helps professionally finish the installation.



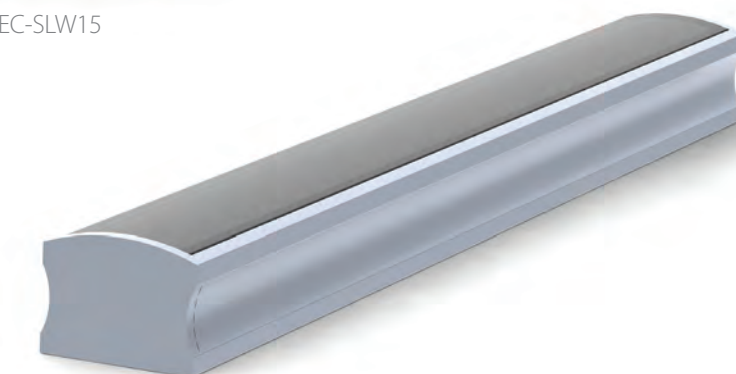
AL-SLW15  
AB-SLW  
EC-SLW15



EC-SLW15

AL-SLW15

EC-SLW15





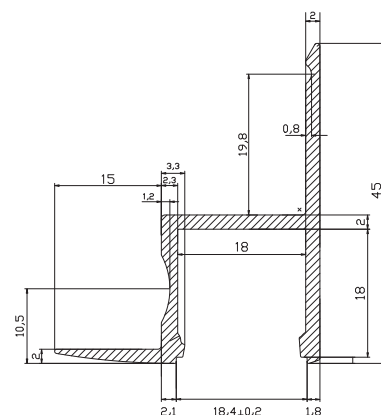
AL-CE  
AB-SLW

## ALU-CEILING LED PROFILE

ALU-CEILING; 35 x 45mm

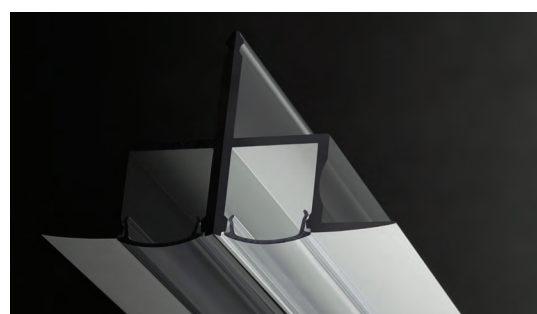
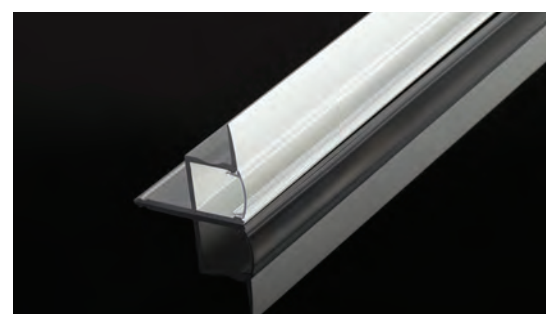
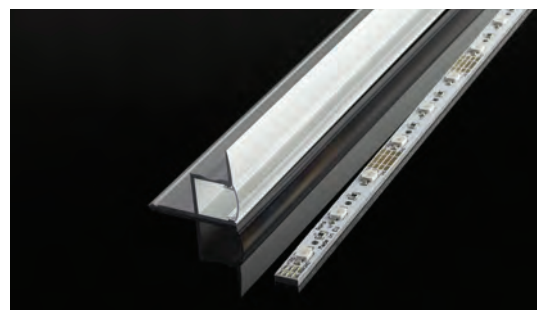
### FUTURES:

- Recessed type wall wash LED profiles
- High Quality UV resistant polycarbonate snap in diffuser
- Two different light diffusers to choice from, frosted (LEDs dots free) and transparent.
- LEDs DOTS FREE design (frosted diffuser)
- Extra space inside the LED profile for wide LED stripes up to 18mm
- Recess design for build into gypsum ceiling
- Suitable for standard or high power LED stripes up to 30W/m
- Available on stock in anodized silver color
- Possible length and color customizing at MOQ
- Available on stock with dedicated end caps
- Indoor use only, IP20



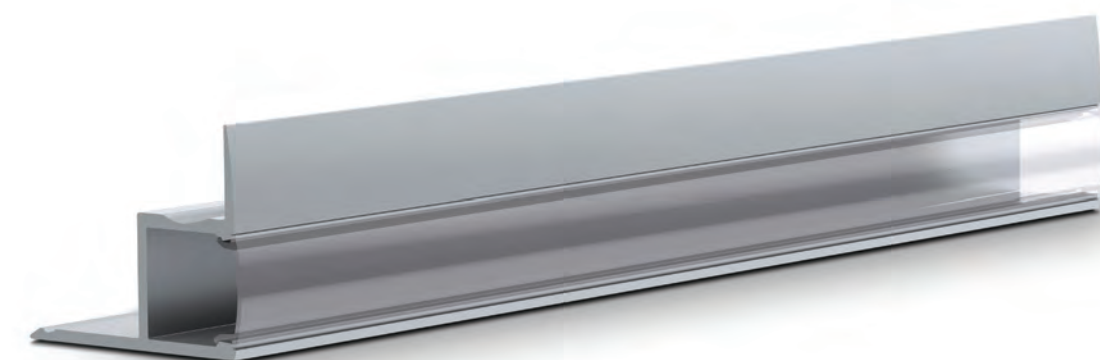
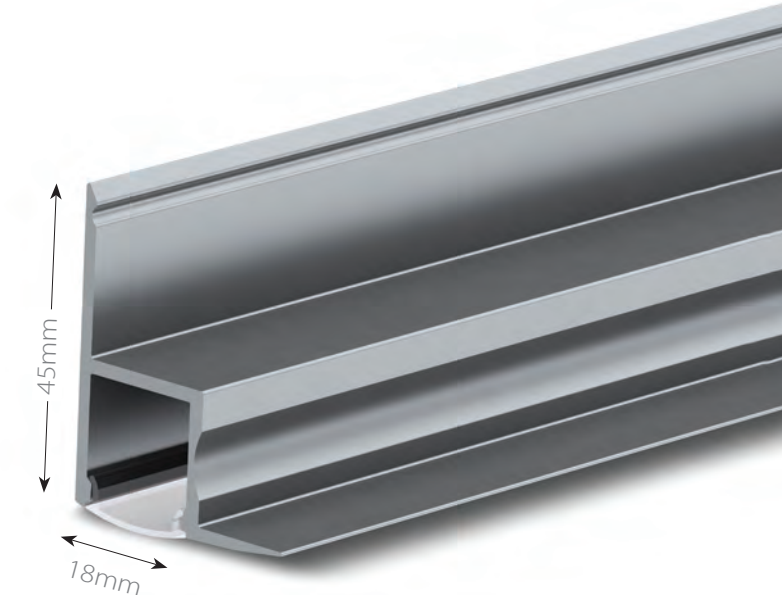
### APPLICATIONS:

- Main ceiling LED lighting
- Retail store ceiling LED lighting
- Hotels hallways LED lighting
- Exhibitions, hotels, restaurants ceiling LED lighting



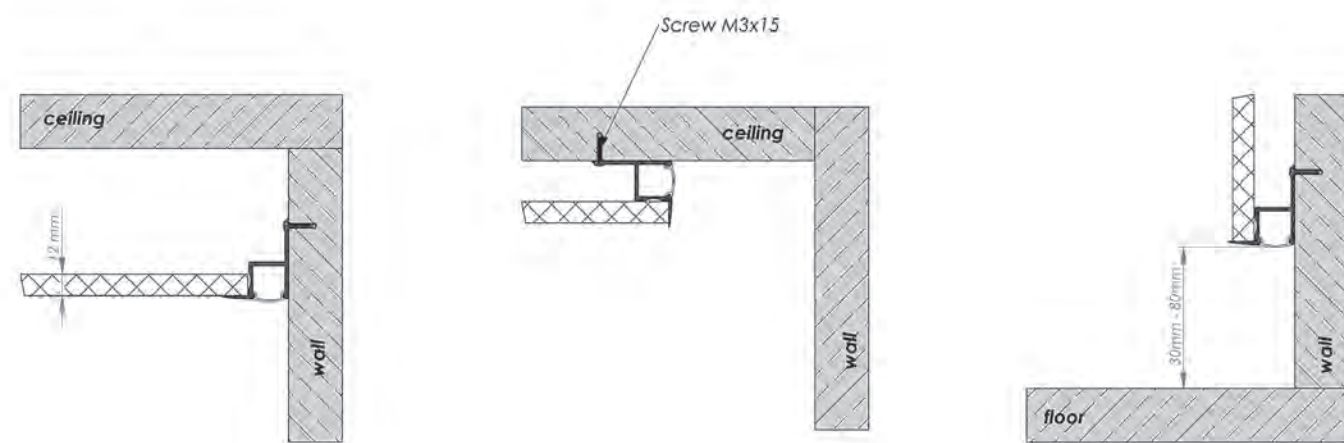
### DESCRIPTION

It is Quality anodized aluminum LED profile for build-in into the gypsum ceiling. The profile with the LEDs builds-in between the ceiling and the wall will emit the light directed straight down from the top of the wall/ceiling to the floor, washing up the next to wall with light. Another possible and often use installation for this profile is the installation between the wall and direct lighting of the floor, construction frame of the not build wall. The installation options has been clearly explained in the PDF catalogue. ALU-CEILING is coming with choice of high quality frosted ("LEDs DOTS FREE") or transparent snap-in diffuser and finish end caps. The snap-in diffuser is made from UV resistant material. The profile can accommodate standard or mid power led stripes up to 18mm of the wideness. The aluminum profile is performing as the heat sink to the LEDs and also presents itself as nice, stylish housing where all components are matching and are high quality.

AL-CE  
AB-SLW

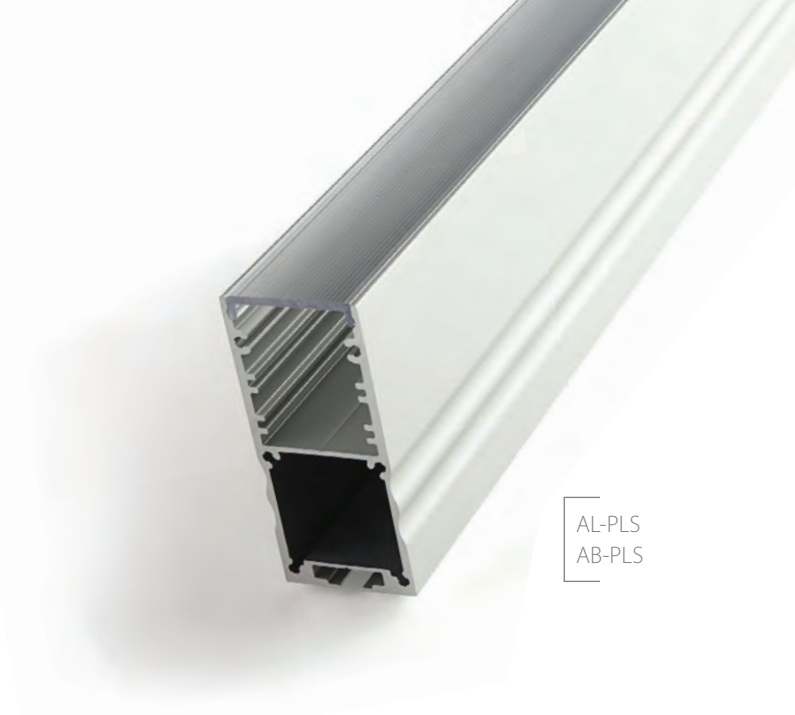


## ALU-CEILING INSTALATION OPTIONS



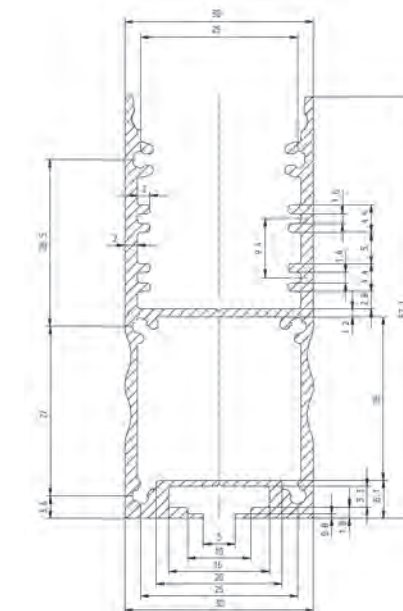
## POWER LINE SLIM 30mm

PLS30; 30 x 65mm



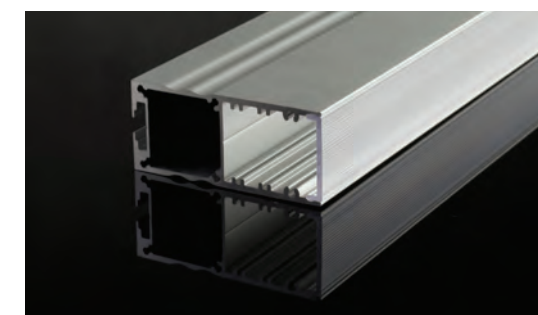
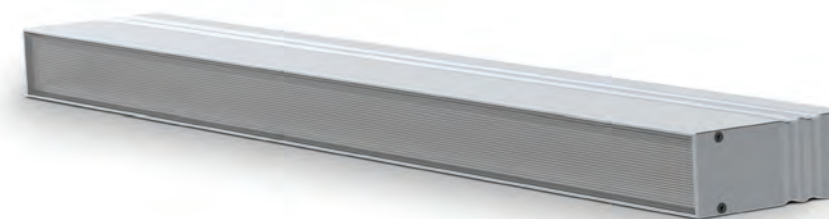
## FUTURES:

- High Quality specially treated anodizing aluminum surface
- High Quality UV resistant polycarbonate snap in diffuser, 30mm wide
- Two different light diffusers to choice from, frosted (LEDs DOTs FREE) and transparent.
- LEDs DOTs FREE design (frosted diffuser)
- Contemporary design which can be suspended from the ceiling or surface installed
- Excellent heat sink to the high power LEDs
- Suitable for standard or high power LED stripes up to 30W/m
- Separate chamber to hide LED power supplier, cables
- Available on stock in anodized silver color free of any extrusion marks
- Possible length and anodizing color customize at MOQ
- Available on stock with dedicated aluminum end caps
- Indoor use only, IP20

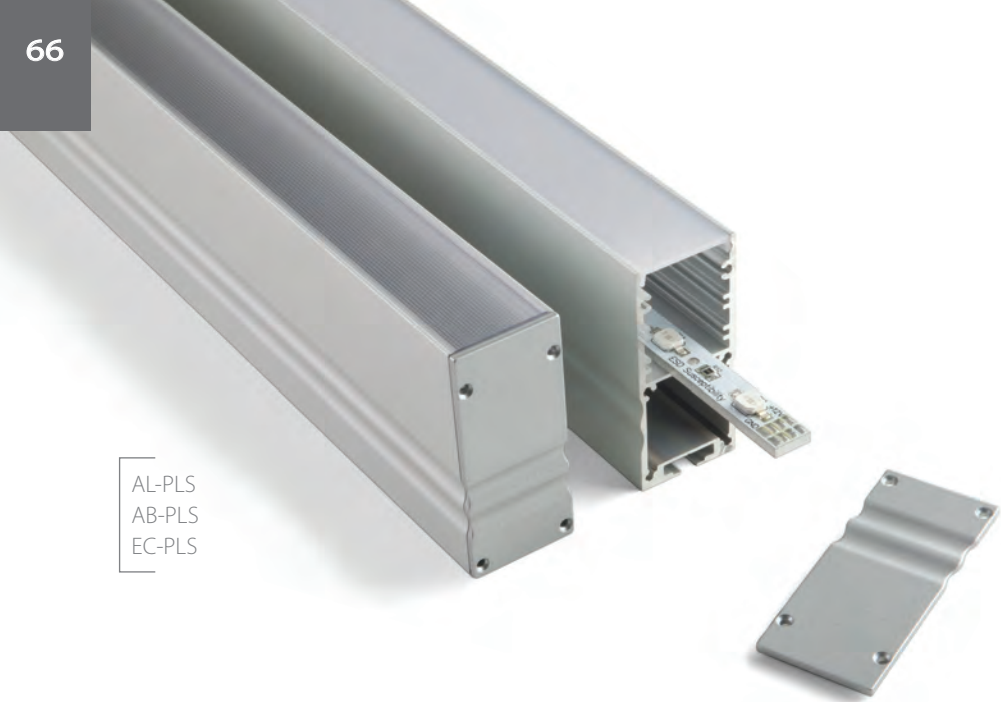


## APPLICATIONS:

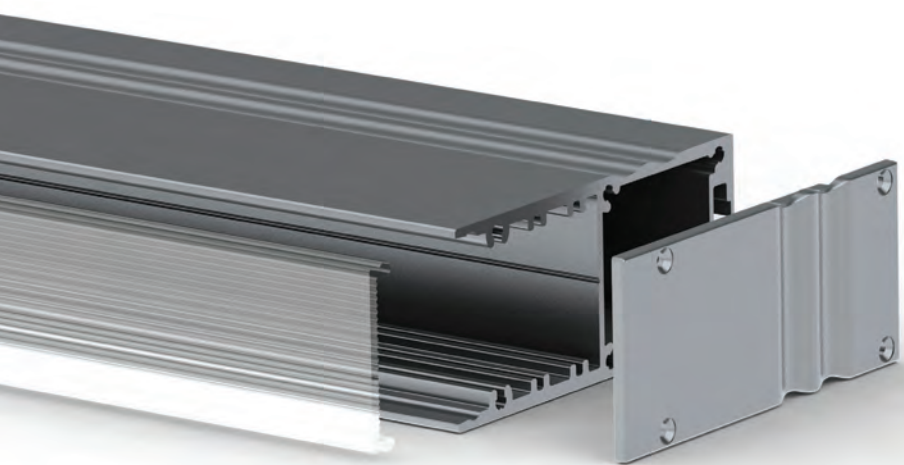
- LED lamp component
- Retail store main ceiling LED lighting
- Suspended LED lighting lamp
- Exhibitions, hotels, restaurants main LED lighting
- Decorative linear LED lightingn hospitals, underground
- Walkways LED lighting







AL-PLS  
AB-PLS  
EC-PLS



AL-PLS  
AB-PLS  
EC-PLS

EC-PLS  
Aluminum end cap

#### DESCRIPTION

The POWER LINE SLIM 30mm profile is high Quality anodizing aluminum LED profile with "LEDs DOTS FREE" frosted diffuser. The profile has been designed to work as independent suspended or surface mounting LED profile prepared for future installation of high power LEDs [up to 30W/m]. Massive aluminum weight [1,1kg/m] and dimensions provides excellent thermal heat sink to the LEDs and also presents itself as the nice, stylish and professionally looking housing. The profile it is able to handle and maintain stable temperature [45/50°] at long period of time the in load up to 30W/m. The anodizing surface of the profile is specially treated to be free of any micro screeches or extrusion process flows marks. The profile is coming with choice of two high Quality UV resistant, snap-in diffusers in frosted and transparent. The free space chamber can be use for hiding the power supplier and cables. LED profile is available related accessories such as color matching aluminum end caps which helps professionally finish the profile.



## RECESSED POWER LINE SLIM 30mm

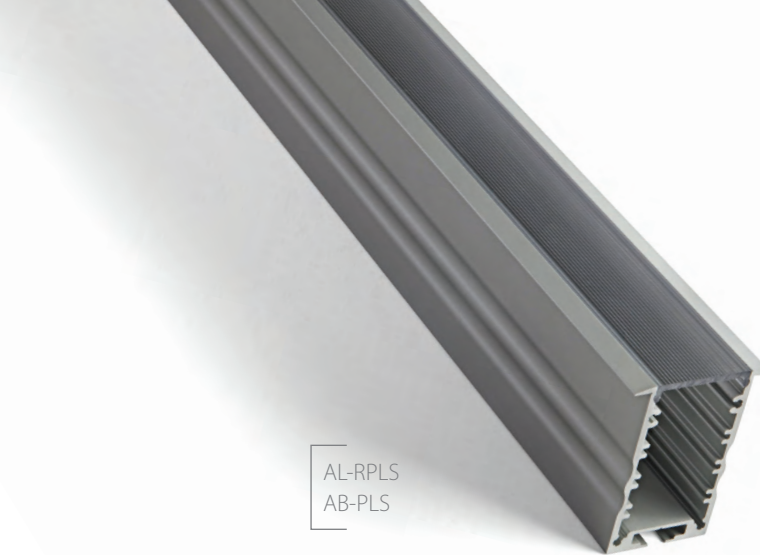
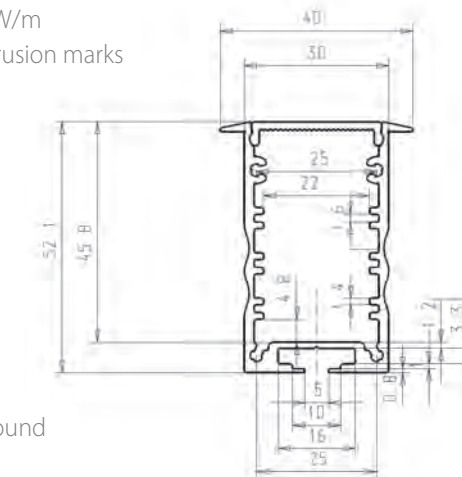
RPLS30; 30 x 65mm

#### FUTURES:

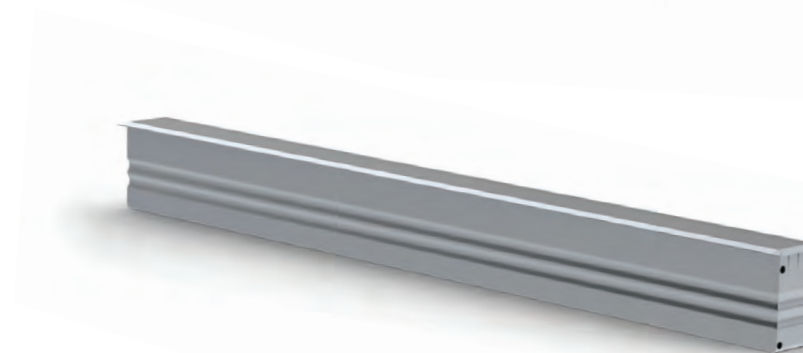
- Recessed type gypsum ceiling build-in LED profile with 30mm wide diffuser
- High Quality specially treated anodizing aluminum surface
- High Quality UV resistant polycarbonate snap in 30mm wide diffuser
- Two different light diffusers to choice from: frosted (LEDs DOTs FREE) and transparent
- LEDs DOTs FREE design (frosted diffuser)
- Recess design for build into gypsum ceiling
- Excellent heat sink to the high power LEDs
- Suitable for standard or high power LED stripes up to 30W/m
- Available on stock in anodized silver color free of any extrusion marks
- Possible length and anodizing color customize at MOQ
- Available on stock with dedicated aluminum end caps
- Indoor use only, IP20

#### APPLICATIONS:

- Main ceiling LED lighting
- Retail store ceiling LED lighting
- Hotels hallways ceiling LED lighting
- Exhibitions, hotels, restaurants ceiling LED lighting
- Decorative linear ceiling LED lighting hospitals, underground
- Walkways LED lighting



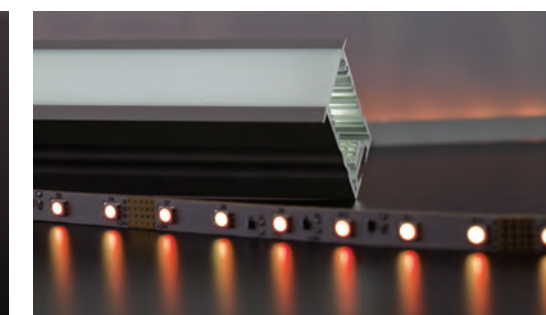
AL-RPLS  
AB-PLS



AL-RPLS  
AB-PLS  
EC-RPLS



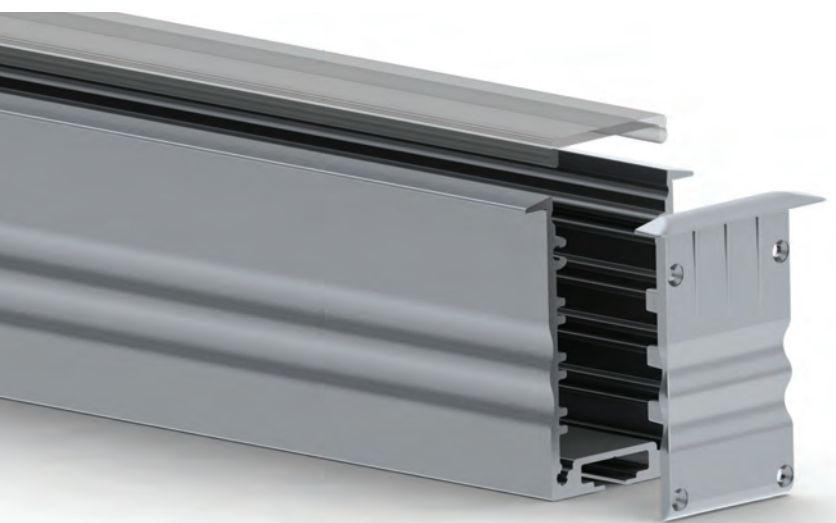
EC-RPLS  
Aluminum end caps







AL-RPLS  
AB-PLS



AL-RPLS  
AB-PLS  
EC-RPLS

EC-RPLS  
Aluminum end cap

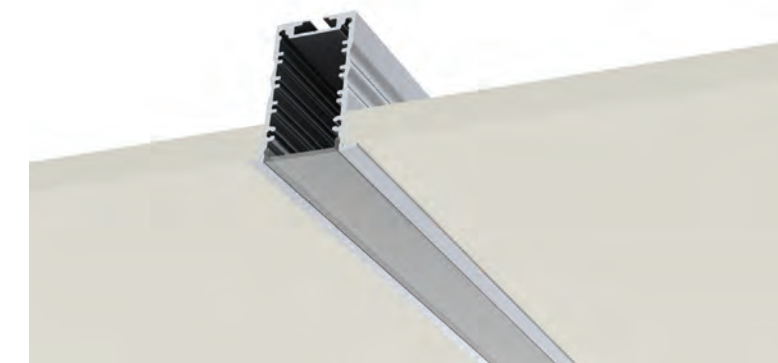
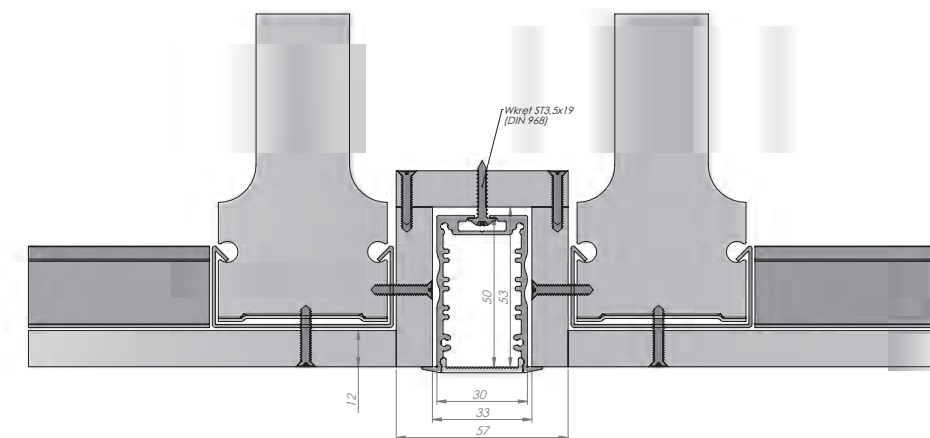
DESCRIPTION

This is recessed type 30mm wide, "LEDs DOTS FREE" anodized aluminum LED profile which is dedicated for build-in into suspended gypsum ceiling to work as the main LED lighting fixture. This type of profile is often use for build-in into the gypsum ceilings at the offices, show rooms, restaurants, hotels and shops. It is made from anodized aluminum and is dedicated for high power LEDs [up to 30W/m]. Large aluminum weight [0,9kg/m] provides excellent thermal heat sink to the LEDs and also presents itself as the nice, stylish and professionally looking housing. The profile it is able to handle and maintain stable temperature [50/55°] at long period of time the in load up to 30W/m. The anodizing surface of this profile is specially treated to be free of any micro screeches or extrusion process flows marks. The profile is coming with choice of two high Quality UV resistant, snap-in diffusers in frosted "LEDs DOTS FREE" and transparent. The available accessories such as color matching aluminum end caps helps professionally finish the profile. Installation options are fully explained in the PDF catalogue.

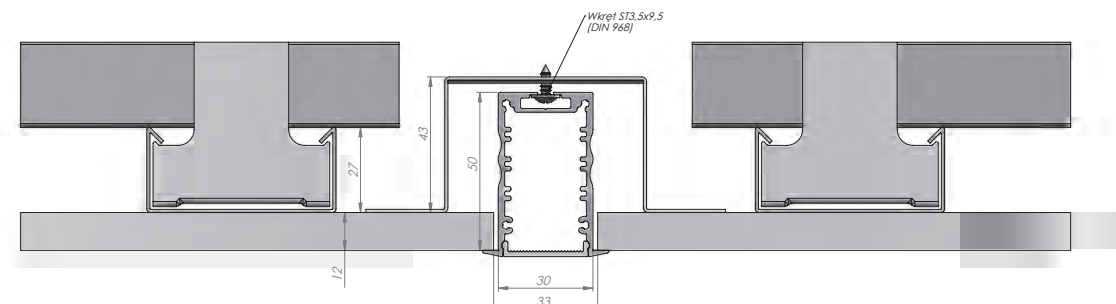


RPLS30 INSTALATION OPTIONS

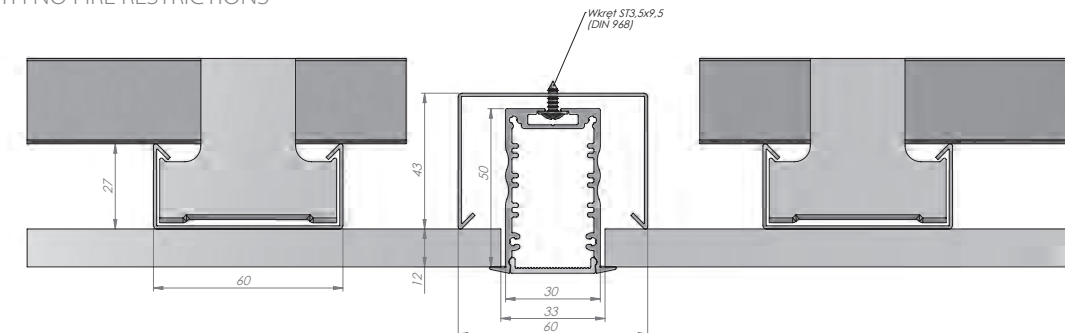
WITH FIRE RESTRICTIONS



WITH NO FIRE RESTRICTIONS



WITH NO FIRE RESTRICTIONS





AL-SS  
AB-SSAL-SS  
AB-SS  
EC-SSEC-SS  
End Caps

## ALU-SWISS LED PROFILE

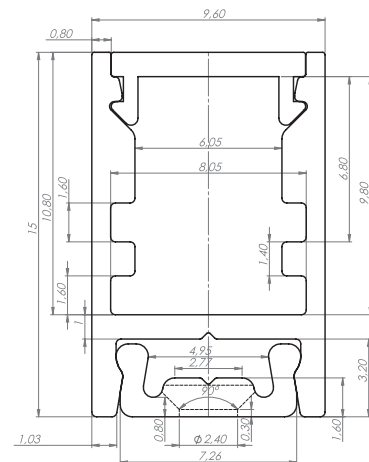
ALU-SWISS; 9 x 15mm

### FUTURES:

- Small in dimensions quality finish LED profile for 6mm/8mm wide LED stripes
- Available with snap in installation base for ALU-SWISS profile which simplify the installation
- High standard of anodizing aluminum
- High Quality UV resistant polycarbonate snap in diffuser
- Two different light diffusers to choice from, frosted (LEDs dots free) and transparent.
- LEDs DOTS FREE design (frosted diffuser)
- Multiple purpose profile with smooth line of light
- Suitable for standard 6mm/8mm wide LED stripes with high density 120 leds/m
- Available on stock in anodized silver color
- Possible length and color customizing at MOQ
- Available on stock with dedicated end caps and mounting base
- Indoor use only, IP20

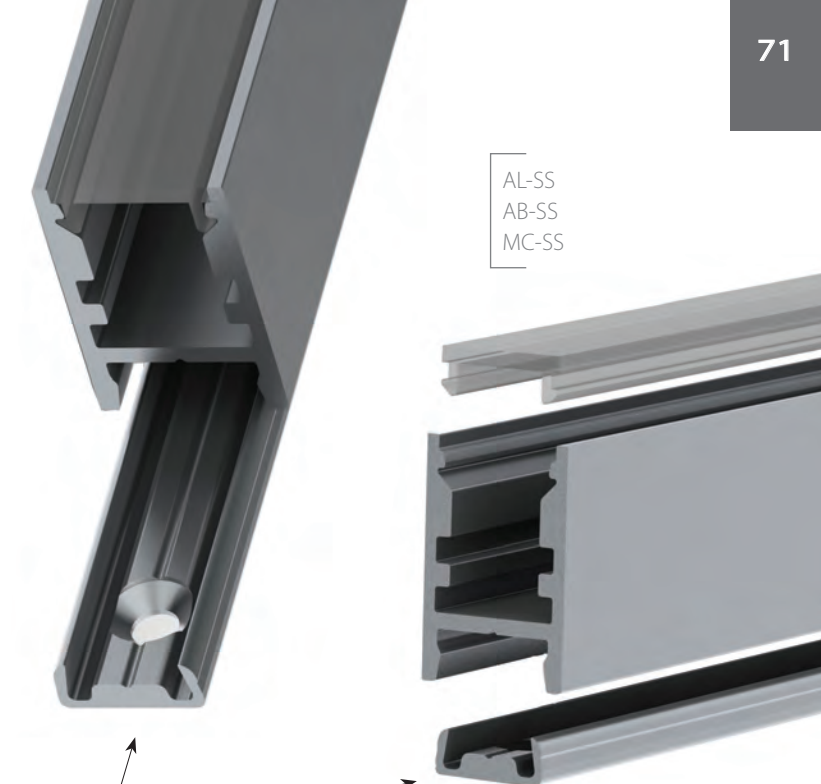
### APPLICATIONS:

- Multiple purposes LED profile for 6mm/8mm wide LED stripes
- Hotels, cinemas, restaurants, night clubs, stair LED lighting
- Furniture production
- Retail stores products LED lighting illumination

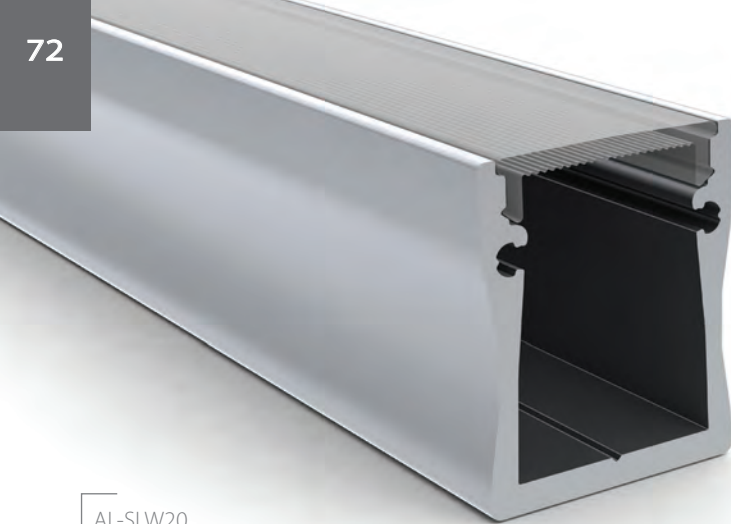


### DESCRIPTION

This is small in dimensions LED profile which is dedicated for the standard 6mm/8mm LED stripes. ALU-SWISS profile is available with choice of two high Quality, snap-in, UV resistant diffusers, frosted "LEDs DOTS FREE" and transparent. We designed and made for ALU-SWISS profile the snap-in installation base which you instal to the surface first then just snap-in the profile with the LEDs. Small dimensions of this profile give opportunity to use it in many applications. The profile can be use for the kitchen cabinets LED lighting, retail stores shelf lighting, automotive or marine bouts discrete LED lighting and etc. Profile is available with related accessories such as aluminum end caps and the snap-in mounting base which helps professionally finish the profile.

AL-SS  
AB-SS  
MC-SSMC-SS  
(instalation base)

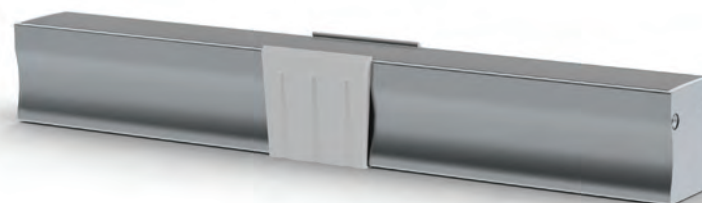
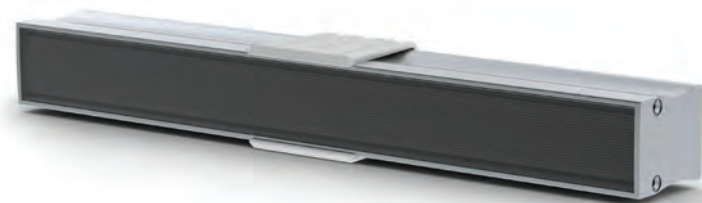




AL-SLW20  
AB-SLW20



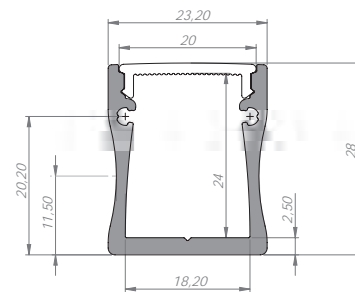
MC-SLW20  
Mounting Bracket



## SLIM LINE WIDE 20 mm

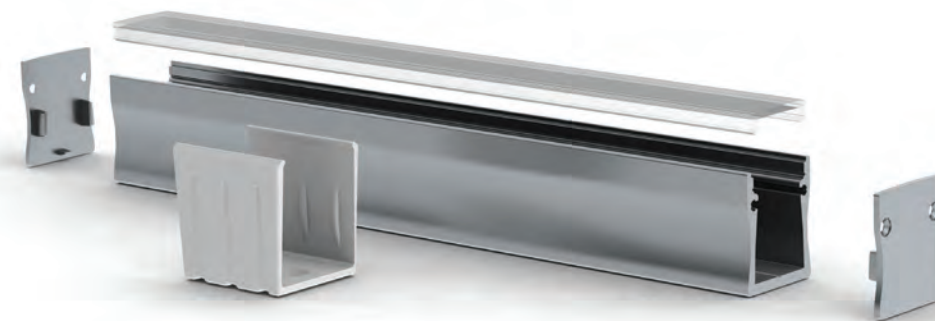
SLW20; 23,2 x 27,7mm **ON STOCK**

Architectural Design of minimalistic LED profile dedicated for wide LED stripes up to 18mm of wideness. The profile presents itself not the ordinary design which brings the additional value to the Architectural design at the end. Little bitt bigger dimensions allow to place it higher and it will be still visible from the distance, where other profiles from the same perspective of view may look small. The extraordinary anodizing surface quality, dedicated aluminum end caps and LEDs DOTs FREE frosted diffuser make this profile very attractive to work with. Increased amount of aluminum provide excellent cooling for all kinds of LED stripes including high power. The profile is able to maintain stable the temperature at load up to 25W/m. The SLW20 is coming witch choice of two high quality UV resistant, snap-in diffusers (frosted and transparent) as well as related accessories such as aluminum end caps and mounting clip.



EC-SLW20  
End Caps

AL-SLW20  
AB-SLW20  
MC-SLW20  
EC-SLW20





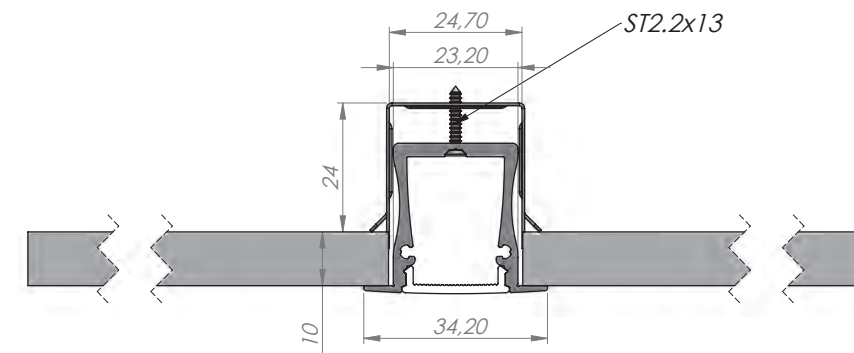
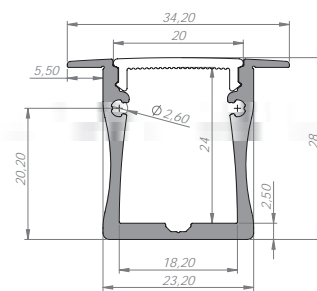


AL-RSLW20  
AB-SLW20

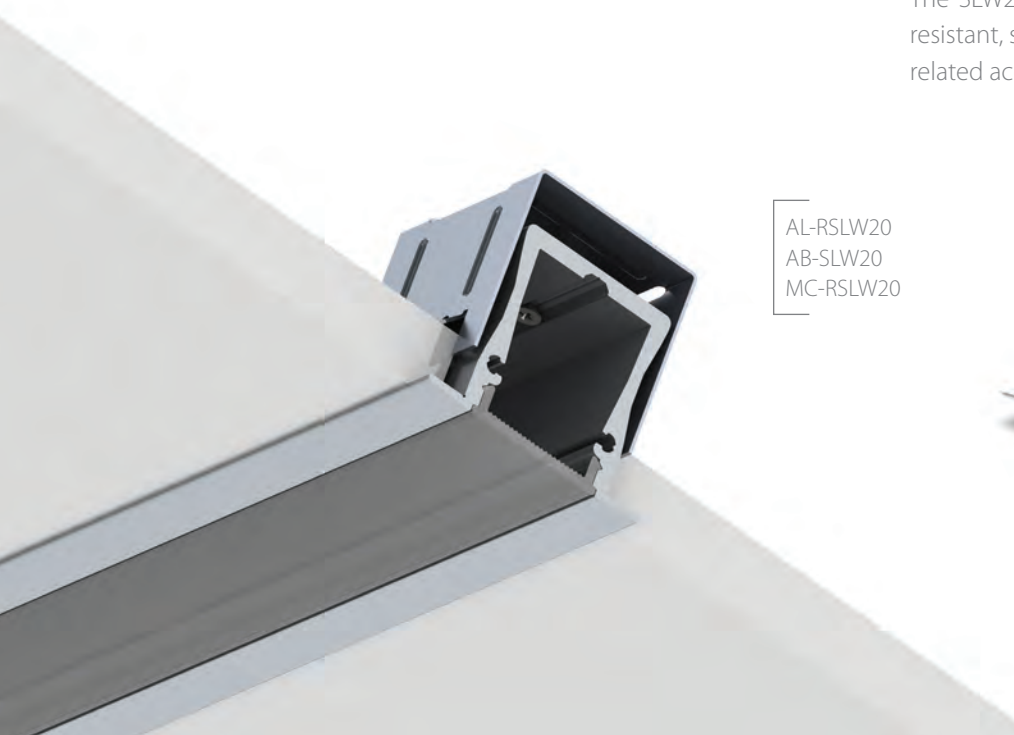
# RECESSED SLIM LINE WIDE 20 mm

RSLW 20; 34,2 x 27,7mm **ON STOCK**

Recess type of the Architectural design of minimalistic LED profile dedicated for wide LED stripes up to 18mm of wideness. The profile is dedicated for the insertion into the gypsum ceiling or other material as walls, store shelves or wood furniture. The little bitt bigger dimensions of the RSLW20 profile allow to place it higher and it will be still visible from the distance, where other profiles from the same perspective of view may look small. The extraordinary anodizing surface quality, dedicated aluminum end caps and LEDs DOTs FREE frosted diffuser make this profile very attractive to work with. Increased amount of aluminum provide excellent cooling for all kinds of LED stripes including high power. The profile is able to maintain stable the temperature at load up to 25W/m. The SLW20 is coming witch choice of two high quality UV resistant, snap-in diffusers (frosted and transparent) as well as related accessories such as aluminum end caps.



AL-RSLW20  
AB-SLW20  
EC-RSLW20



AL-RSLW20  
AB-SLW20  
MC-RSLW20



EC-RSLW20  
End Caps



MC-RSLW20  
Mounting Bracket





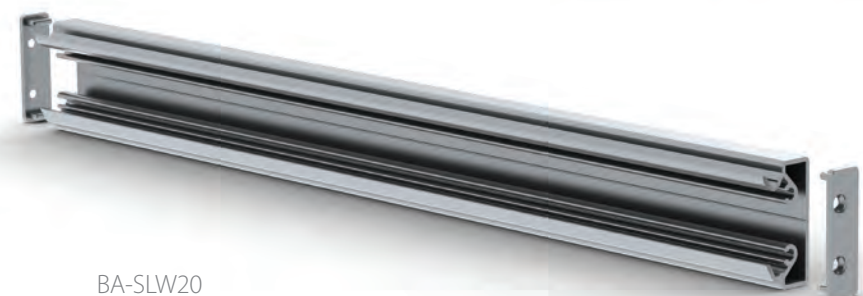
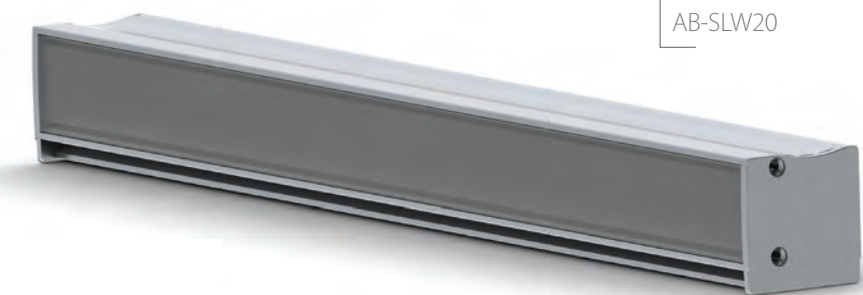
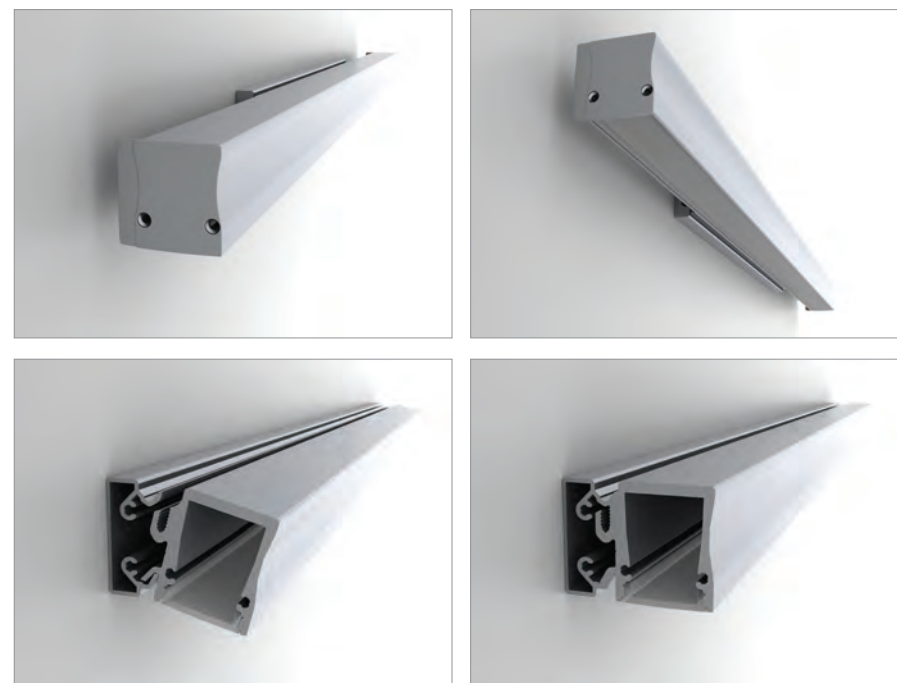
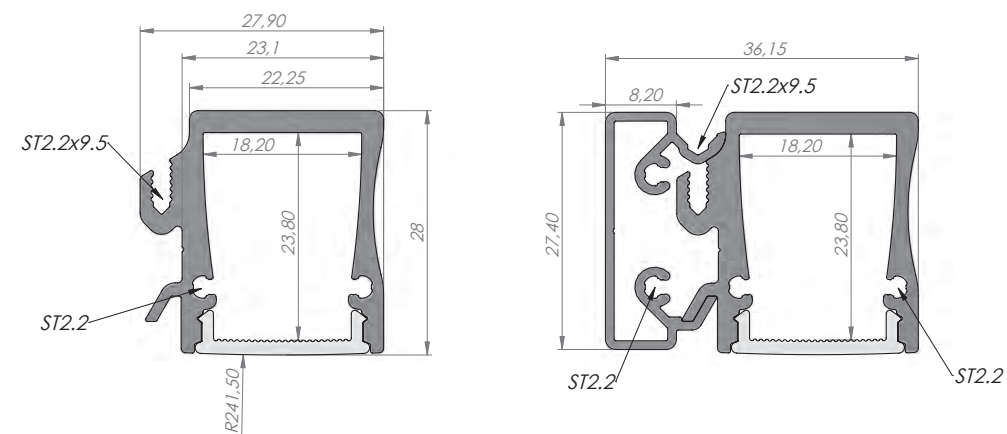
## SLW20B WALL INSTALLED LED PROFILE

SLW20B 27,4 x 36,15mm with the side wall mounting base

### FUTURES:

- Aluminum Base for the wall installed profiles
- Universal base compatible for three wall profiles
- High quality anodizing surface
- Matching design with the lighting profiles

AL-SLW20B  
AB-SLW20



BA-SLW20

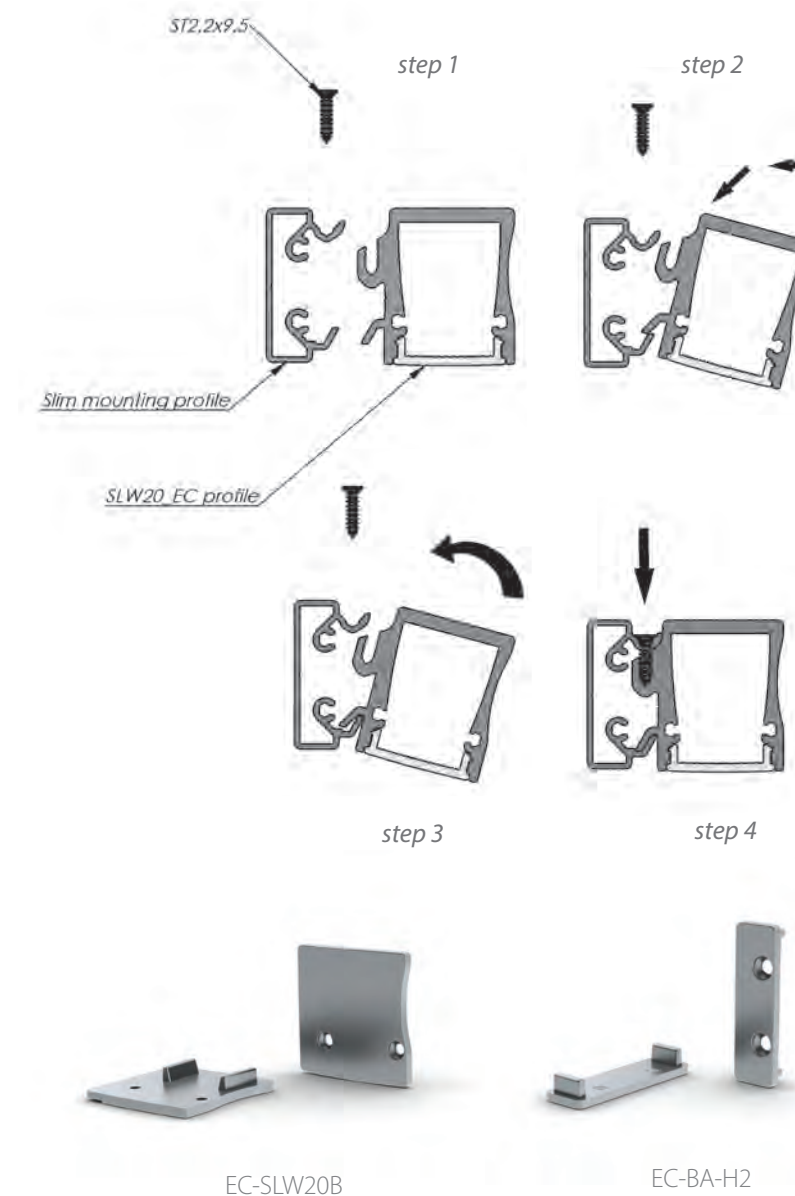
EC-BA-H2

### DESCRIPTION

It is modification of the standard SLW20 profile, the profile now is modified to be installed side ways to the mounting base and the wall with the light directed down. Relatively small dimension make this wall lamp looks distinguish and small. Clean minimalistic design expand the list of possible application. The profile provide great heat sink to the LEDs and can contain led stripes up to 18mm wide. Extraordinary quality of the aluminum anodizing surface, UV resistant light diffuser completely "LEDs DOTS FREE" make it the quality product. Lighting profile comes with the choice of two diffusers, frosted and transparent. The profile and base are finish with the aluminum end caps. The base and the lighting profile SLW20B are sale separately.



### SLW20 EXTRA CLIP MOUNT



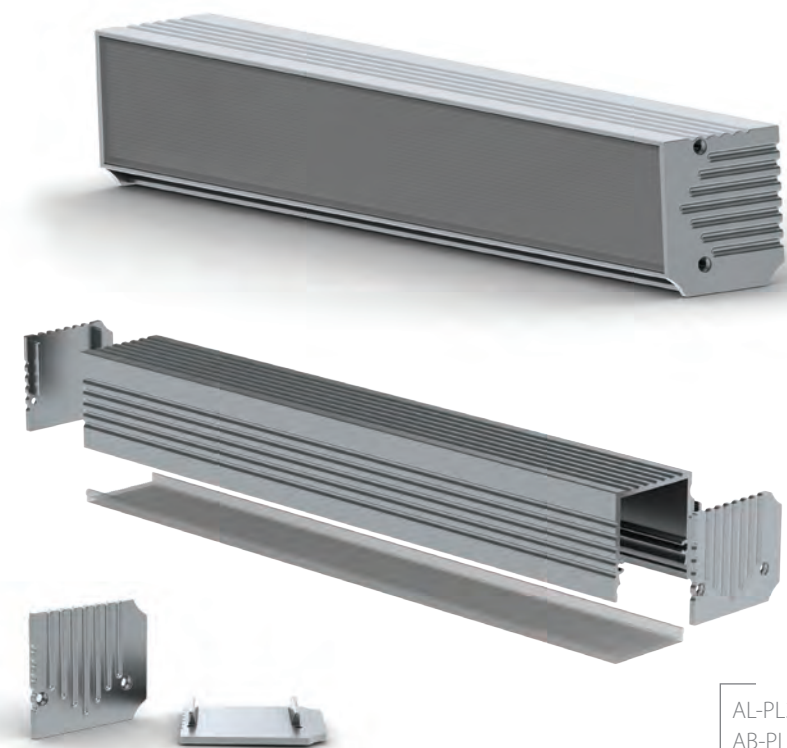
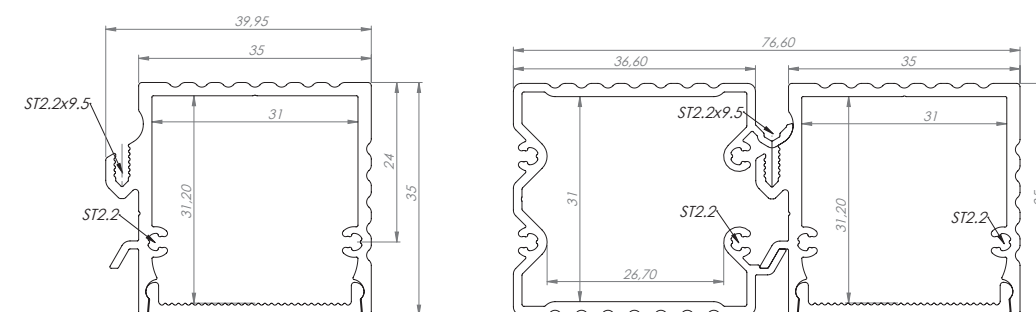


## PL35 ONE SIDE LIGHT OUTPUT

PL35S 76,6mm x 35mm with the power supplying hiding base

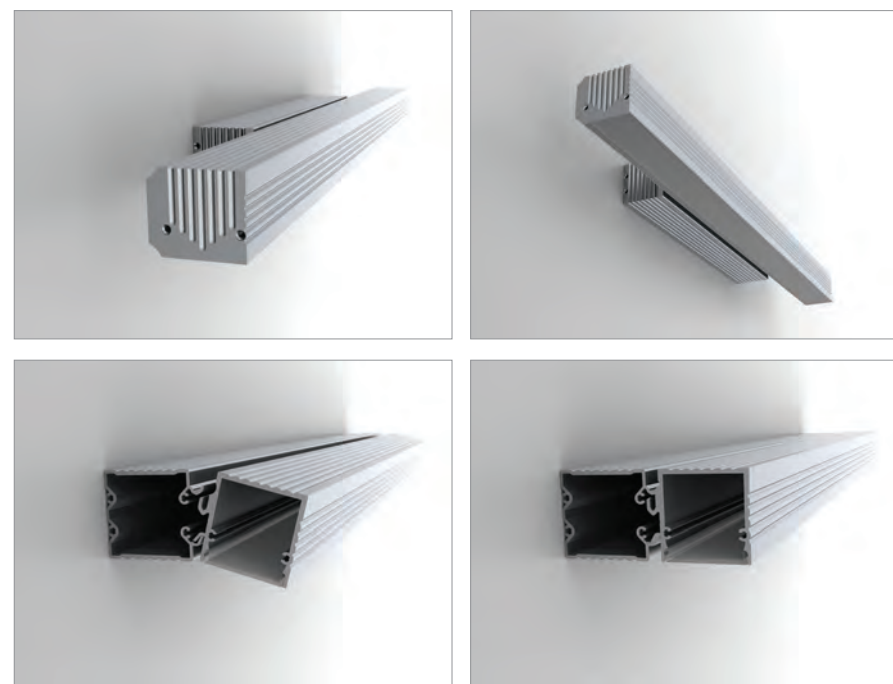
### FUTURES:

- Single light output Wall LED lamp with hiding base for power supply
- Modern design with all matching components
- High standard of the aluminum anodizing surface
- Snap in LEDs DOTs FREE frosted diffuser
- High power heat dissipation capability up to 30W/m
- Firm connection of the base with the wall and base with the profile
- Aluminum end caps



EC-PL35S End Caps

AL-PL35S  
AB-PL  
EC-PL35S

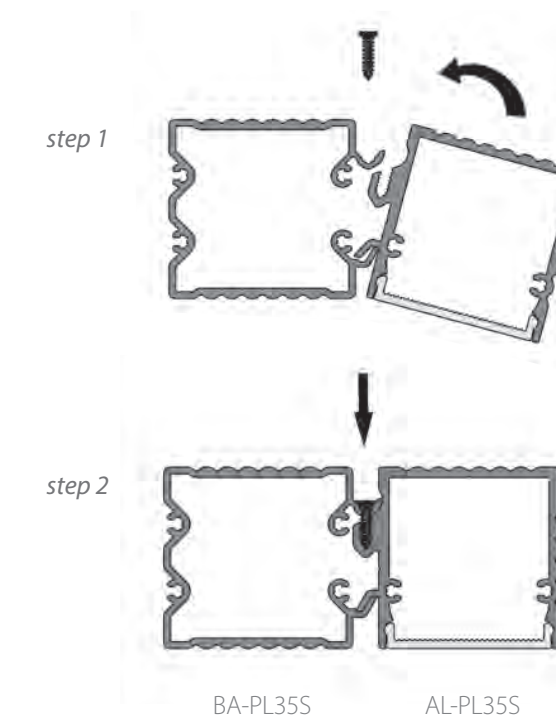


### DESCRIPTION

This is wall installed LED profile with light directed down. It is modification of our popular Power Line 35 profile. The design, diffuser remain the same like at the PL35 profile. The PL35 one side light down was equipped with the hiding base for the power supplier. Hiding base is matching the profile design, is made from the aluminum and screw it directly with to surface. Base is connected mechanically with the lighting profile by a few self threat screws ST2,2x9,5mm. Additionally the base and lighting profile is coming with the aluminum end caps holds by two screws ST2,2mm. The profile and the base is sale separately as well as the end caps. The profile is dedicated mostly for the high power LED lighting with the possible load up to 30W/m.



### PL35\_SINGLE WALL LED LAMP MOUNT

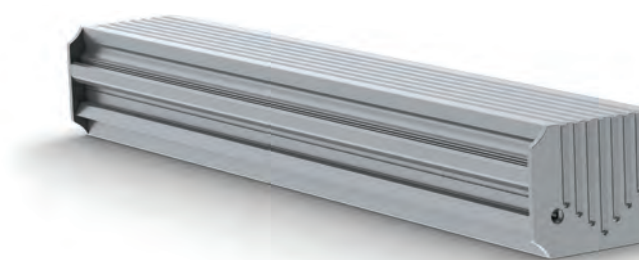


step 1

step 2

BA-PL35S

AL-PL35S



AL-PL35S

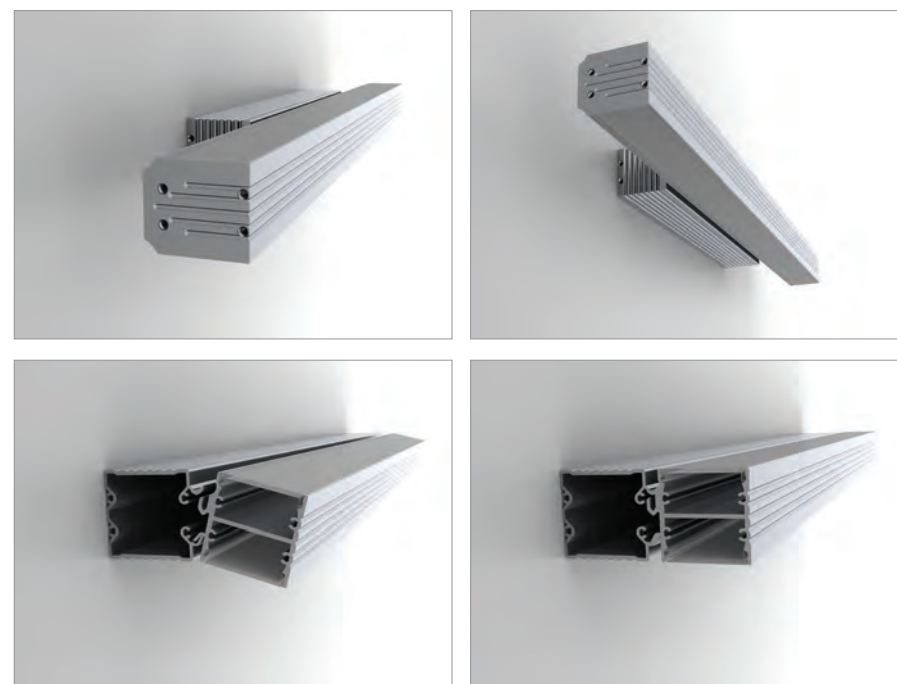
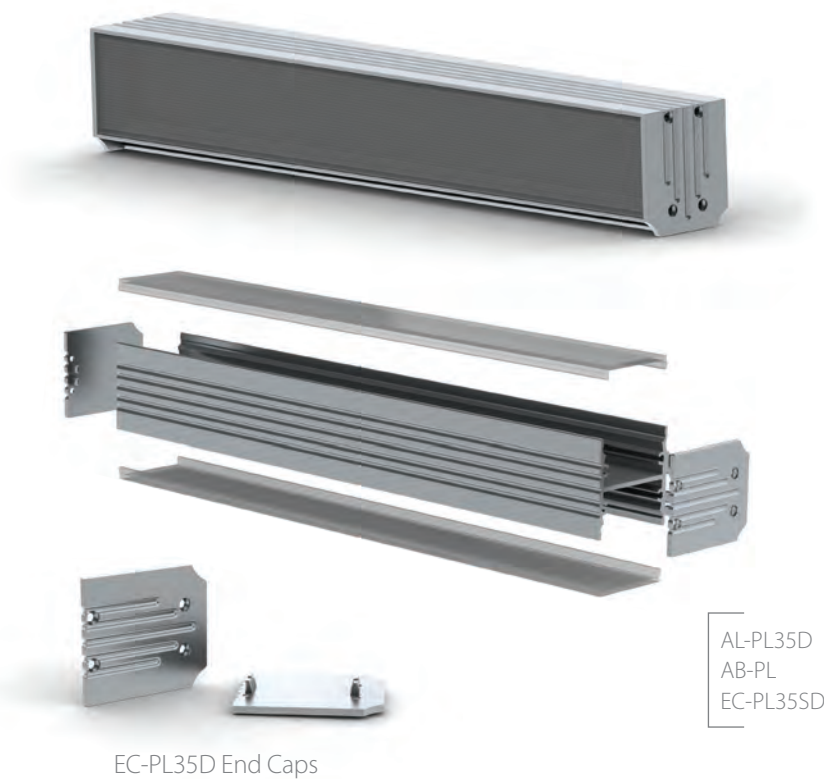
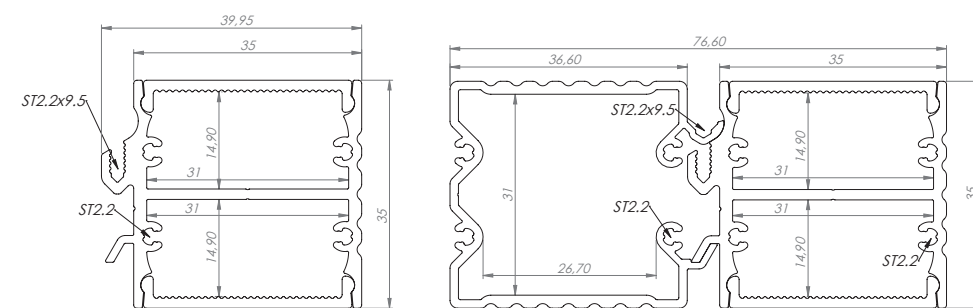


## PL35 TWO SIDE LIGHT OUTPUT

PL35D 76,6mm x 35mm with the power supplying hiding base

### FUTURES:

- Two ways light output of the Wall LED lamp with hiding base for power supply
- Modern design with all matching components
- High standard of the aluminum anodizing surface
- Sanp in frosted UV resistant diffuser
- High power heat dissipation capability up to 30W/m
- Firm connection of the base with the wall and base with the profile
- Aluminum end caps

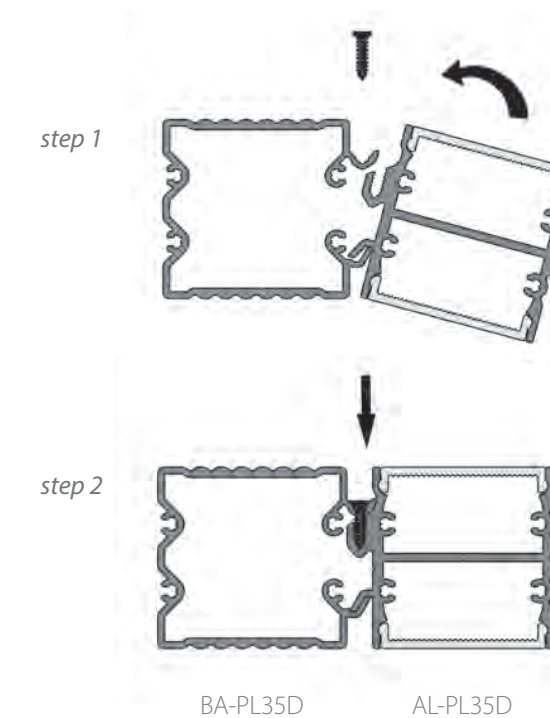


### DESCRIPTION

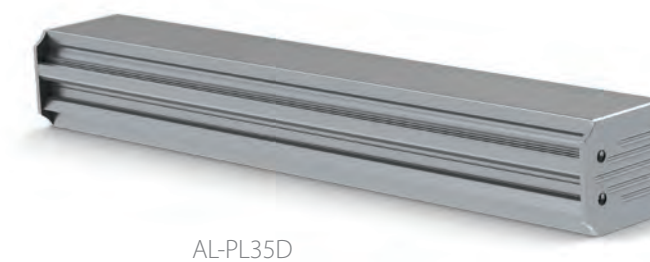
This is wall installed LED profile with light directed up and down. It is modification of our popular Power Line 35 profile. The design, diffusers remain the same like at the PL35 profile. The PL35 two side light up and down was equipped with the hiding base for the power supplier. Hiding base is matching the profile design, is made from the aluminum and screw it directly to the surface. Base is connected mechanically with the lighting profile by a few self threat screws ST2,2x9,5mm. Additionally the base and lighting profile is coming with the aluminum, end caps holds by two screws ST2,2mm. The profile and the base is sale separately as well as the end caps. The profile is dedicated mostly for the high power LED lighting with the possible load up to 30W/m.



### PL35\_DOUBLE WALL LED LAMP MOUNT

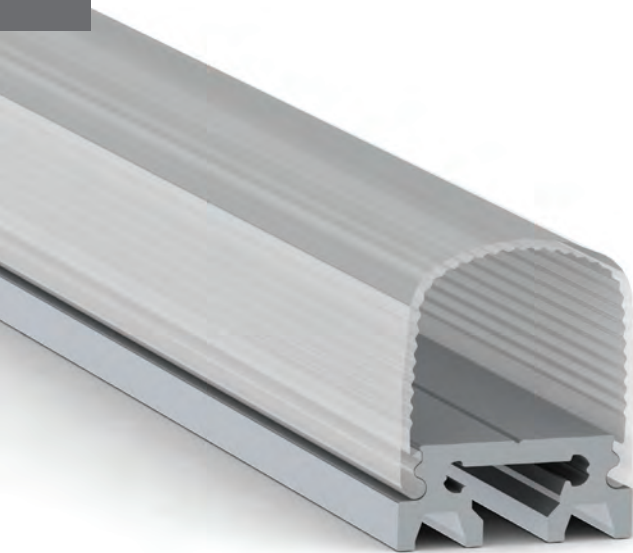


BA-PL35D AL-PL35D



AL-PL35D



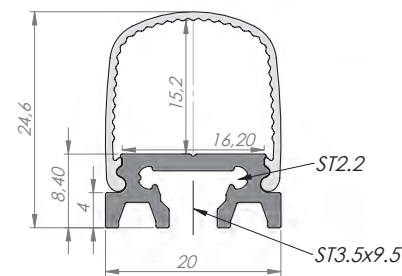


## ALU-SQUERE LED PROFILE

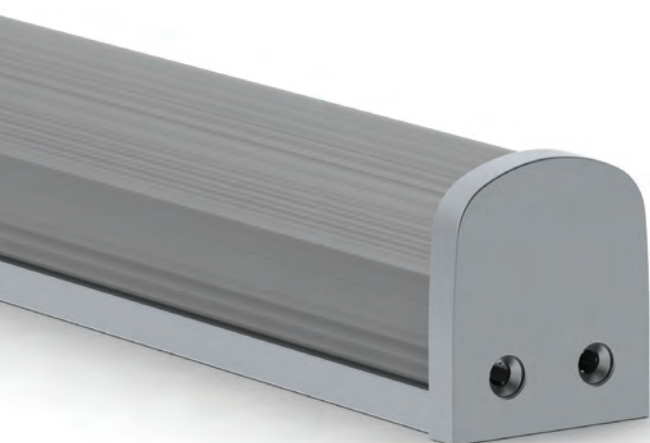
ALU-SQUERE 24,6 x 20mm with round shaped diffuser

### FUTURES:

- High standard of the aluminum anodizing surface
- High quality, snap in, UV resistant diffuser
- LEDs DOTs FREE design (frosted diffuser)
- Suitable for led stripes up to 16mm of wideness.
- Direct installation with the surface by ST3,5x9,5mm screws
- Aluminum end caps



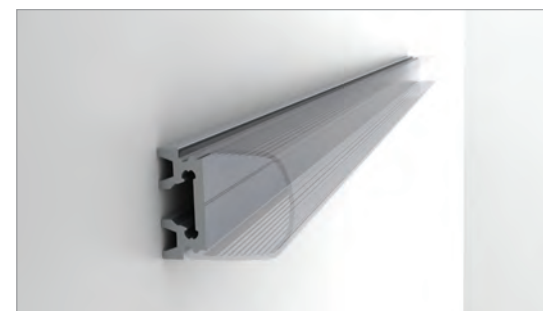
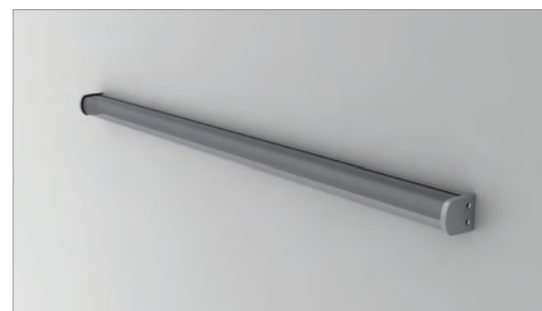
AL-SQ-M2/M1  
AB-SQ



AL-SQ-M2/M1  
AB-SQ  
EC-SQ-H1



EC-SQ-H1  
End Caps

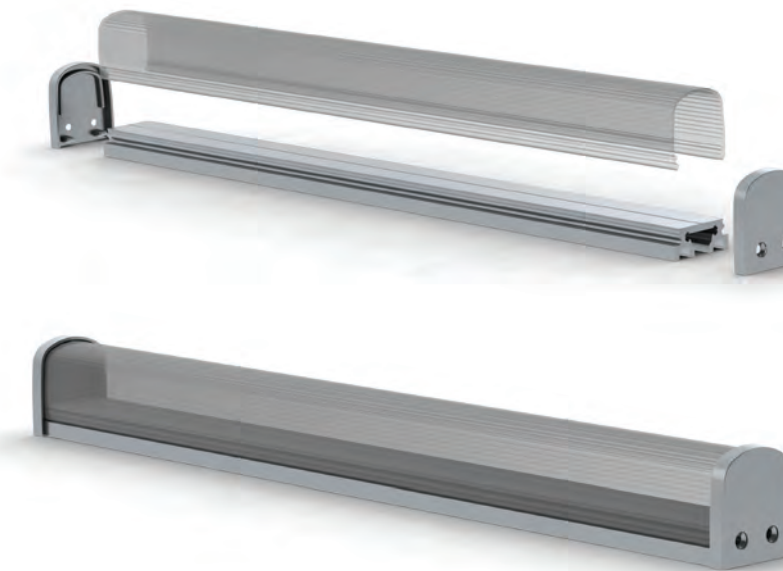
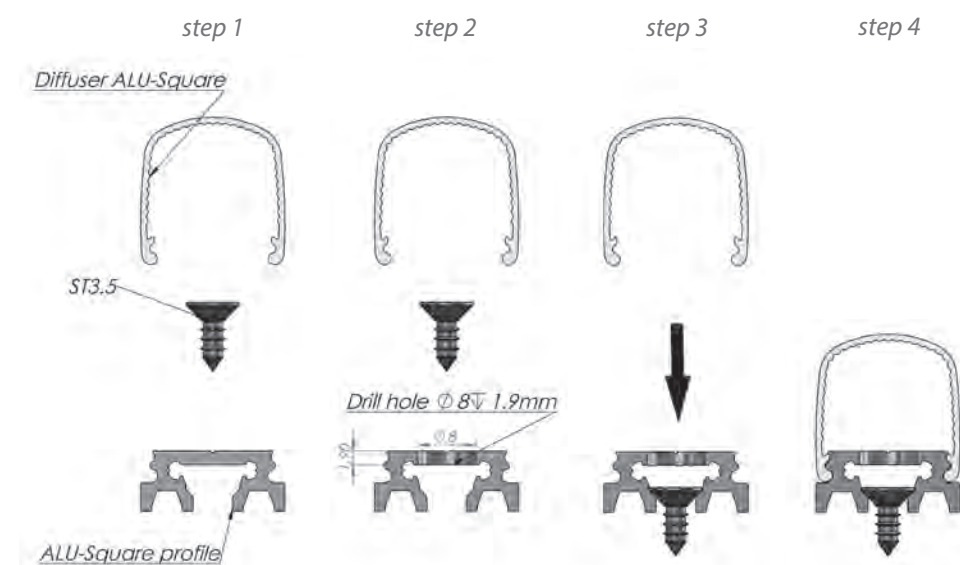


### DESCRIPTION

Three side light emitting, snap in, round shaped diffuser with delicate ruffles under need the surface. The profile is completely "LEDs DOTs FREE" and comes with frosted, UV resistant diffuser only. The profile deliver soft diffused light, can accommodate the standard led stripes mid power up to 16mm of wideness. The right selected aluminum alloy body is performing as the heat sink to the LEDs delivering proper cooling. The profile is dedicated for surface installation by the standard ST3,5mm self threat screw. The Alu-Sqere is finish by the dedicated aluminum end caps installed by the two screws on the side. All together nice diffuser, quality aluminum base and aluminum end caps bring the quality and the professional look.



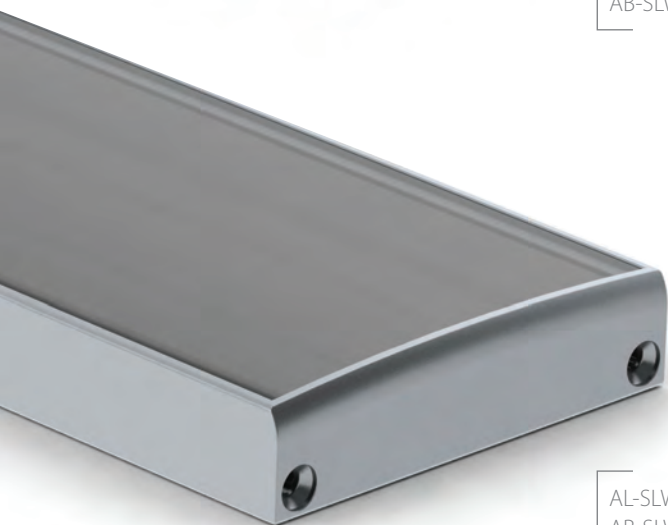
### ALU SQUARE PROFILE MOUNT







AL-SLW10  
AB-SLW10



AL-SLW10  
AB-SLW10  
EC-SLW10-H1



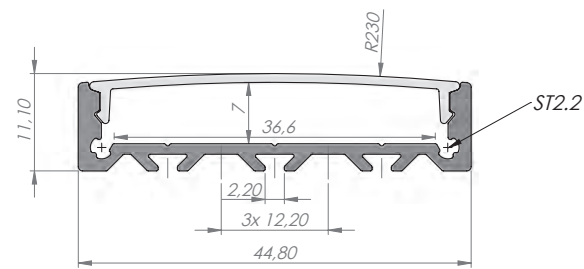
EC-SLW10-H1  
End Caps

## SLW10 LED PROFILE

SLW10 11 x 44,8mm triple row led profile

### FUTURES:

- Triple row led stripe profile up to 36,6mm
- Slim design only 11mm high
- Three types snap in high quality UV resistant diffusers
- High quality anodizing surface
- Direct installation with the surface by the ST2,2mm screws
- Aluminum end caps



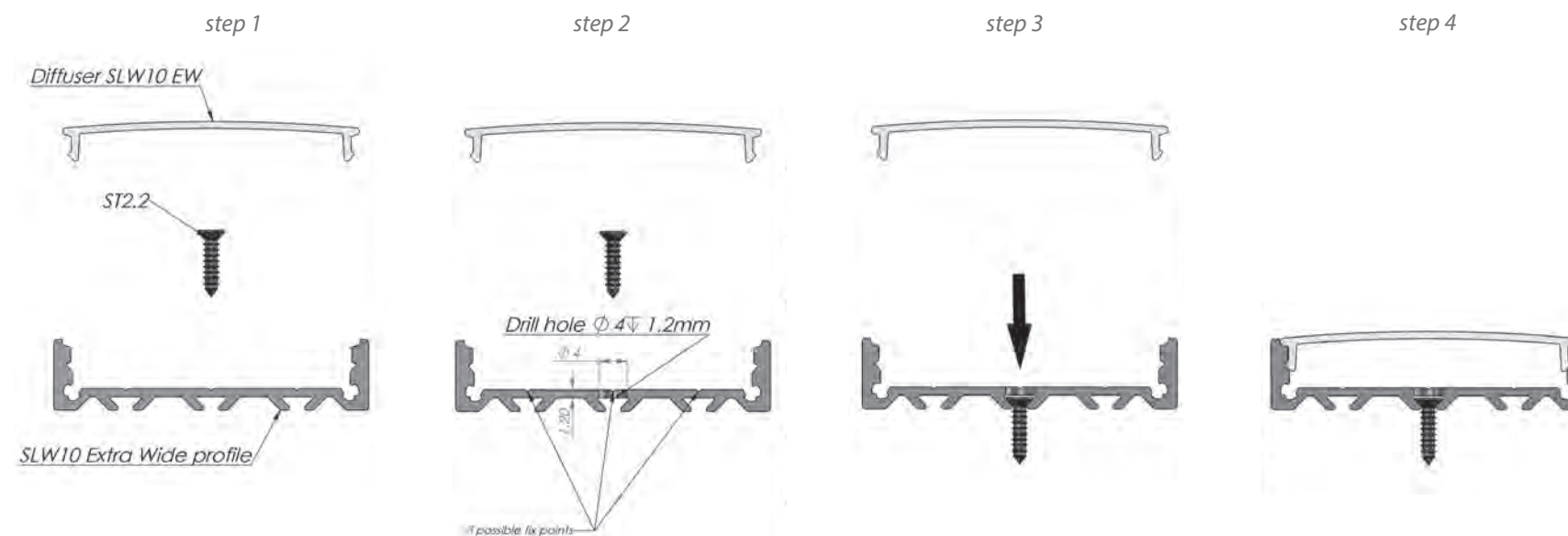
AL-SLW10

### DESCRIPTION

Super wide aluminum profile with the 36,6mm space for the extra wide LED stripes or the triple row of standard 12mm LED stripes. It is low design with the aluminum body directly screwing to the surface by the ST 2,2x9,5mm self thread screws. Almost flat snap in UV resistant diffuser is providing quality finish to this LED lamp. The profiles is available with three different types of the light diffusers, frosted, 50% frosted and transparent. SLW10 LED profile is also equipped with stylish aluminum end caps screwed with the profile.



### SLW10 EXTRA WIDE PROFILE MOUNT







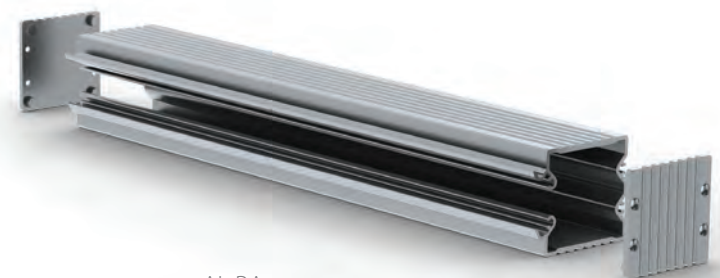
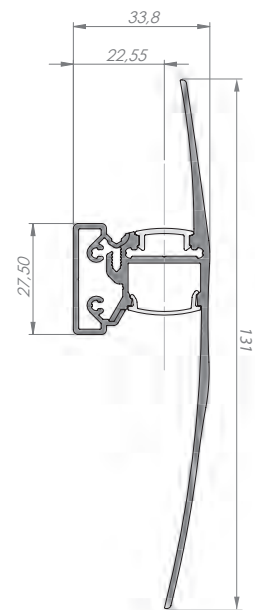
AL-WLL  
AB-SLW  
AB-SL

# WALL LED LAMP

WALL LED LAMP; 131 x 33,8mm

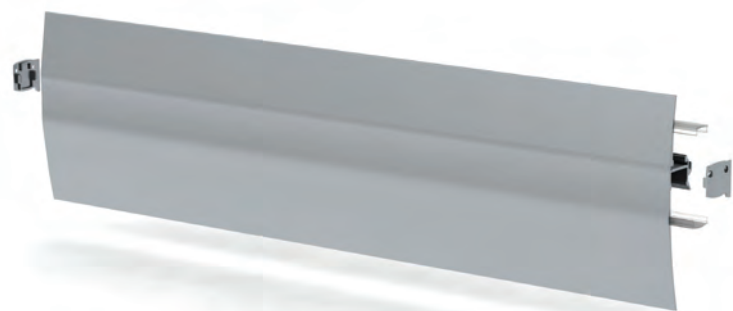
### FUTURES:

- Decorative modern design Wall LED lamp
- Great heat dissipation for high power led stripes up to 30W/m
- Two side LED light output
- Very fine anodizing surface
- Matching installation/hiding base for power supply
- Aluminum accessories



AL-BA

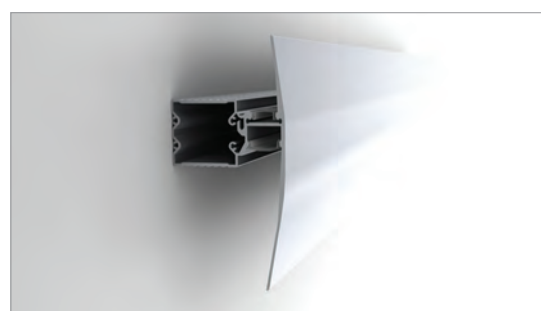
EC-BA



AL-WLL



EC-WLL  
End Caps



### DESCRIPTION

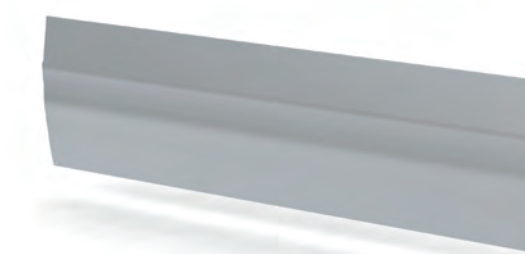
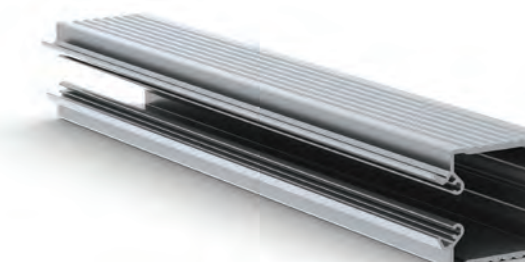
Decorative wall installed LED profile with two direction light outputs up and down. Quality finish and very fine anodizing surface give you the chance to build up LED lamp what you can hang on in walking areas such as hotel hallways, cinemas, restaurants, lobby. The lamp can be powered by two high power single color or RGB LED stripes. Great heat dissipation allow to use high power LEDs up to 30W/m. Installation to the wall is made thru the installation base which working as the hiding housing for the power supply. Wall LED Lamp and the base are sale in 2m units for future cut.



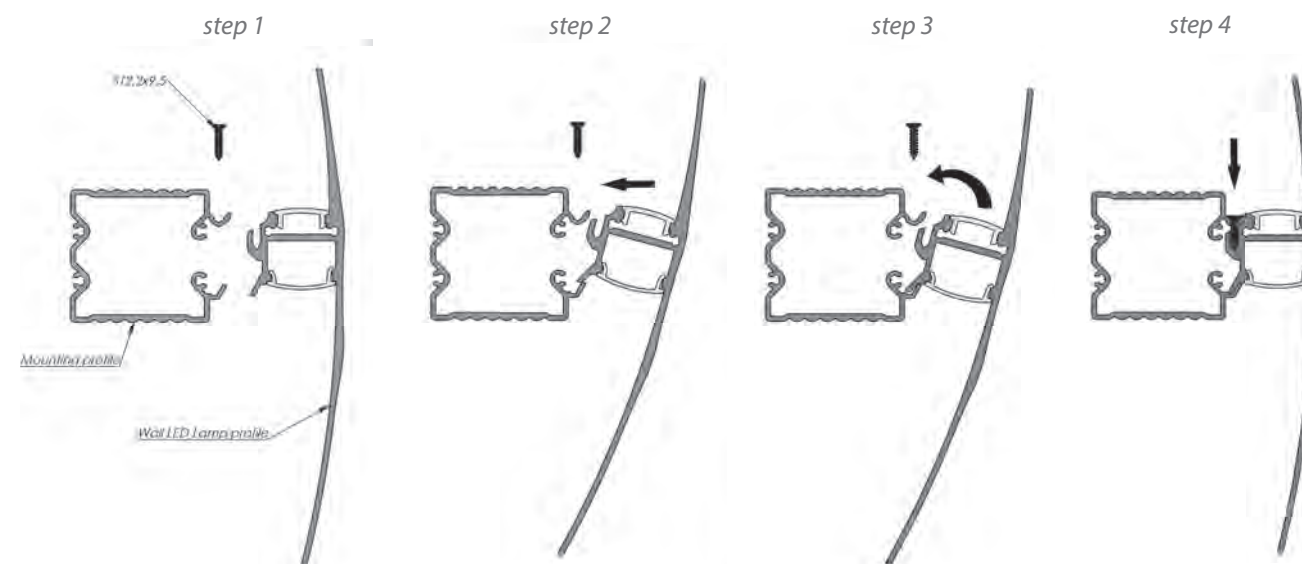
EC-BA  
End Caps



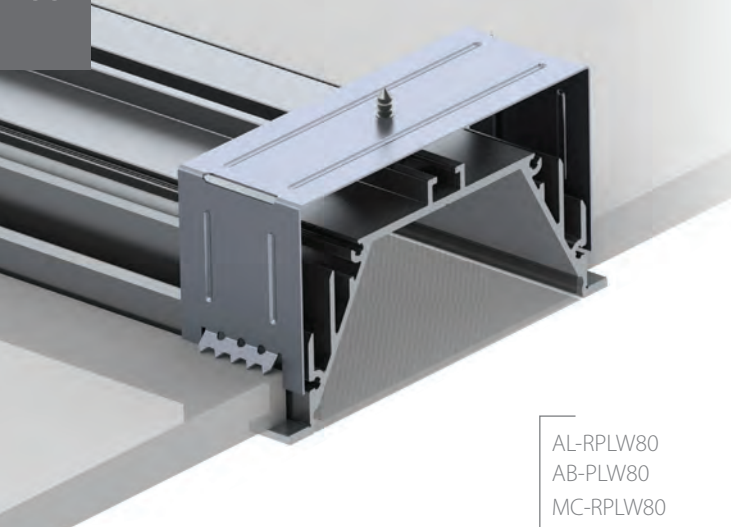
AL-BA



### ALU SQUARE PROFILE MOUNT







AL-RPLW80  
AB-PLW80  
MC-RPLW80

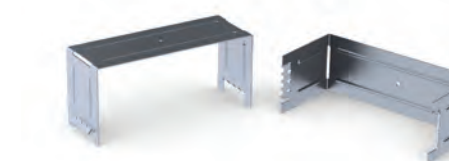
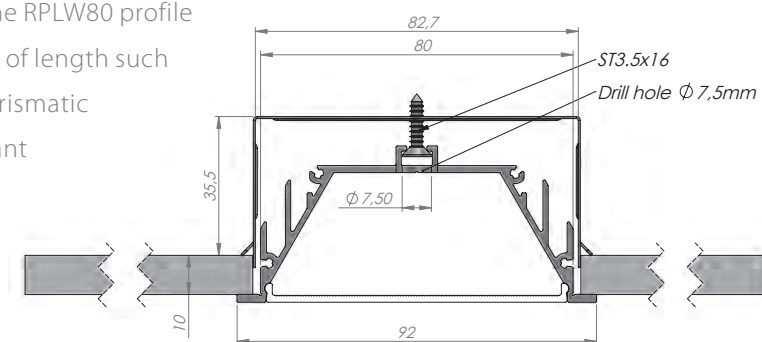
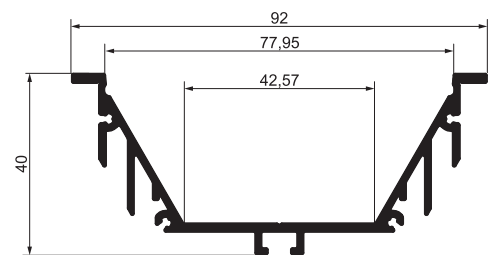


AL-RPLW80  
AB-PLW80  
EC-RPLW80

## RPLW80 LED PROFILE

RPLW80; 92 x 40 mm

RPLW80 is recess version of popular PLW80 profile. This design is dedicated to be recess into the gypsum ceilings or the walls. Massive amount of aluminum provide heavy duty heat sink with excellent cooling capability to the LEDs up to 35W/m. The 77mm width diffuser provide even, smooth, LEDs DOTs free light on the whole surface. It is good choice for higher ceilings as the main LED lighting fixture where the strong LED light is need. The RPLW80 profile is coming with several options of length such as 1m, 2m, 3m transparent, prismatic or frosted finish PC, UV resistant light diffuser and dedicated aluminum end caps and the linear connector.



MC-RPLW80  
Mounting Bracket



EC-RPLW80  
End Caps



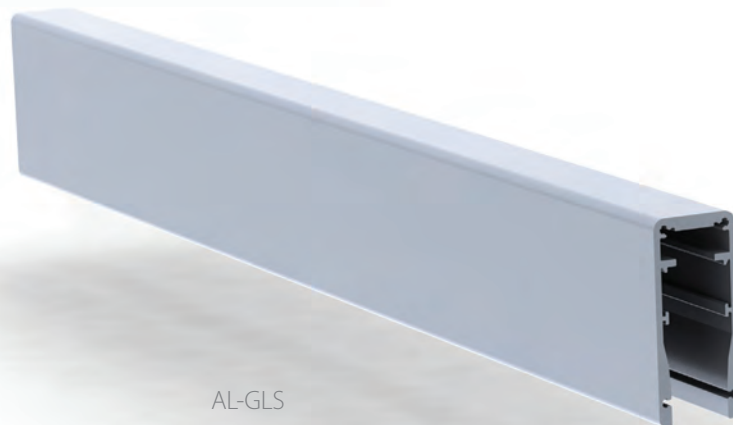
LC-RPLW80  
Linear Connector

AL-RPLW80  
AB-PLW80  
LC-RPLW80





AL-GLS  
GA-TRA



AL-GLS

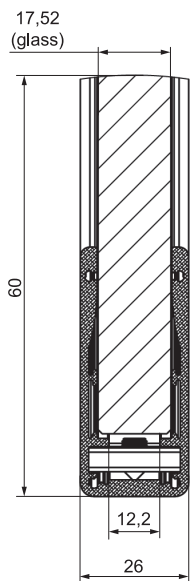
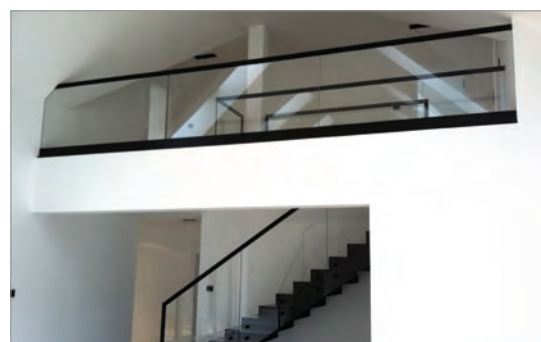
# ALU-GLASS HAND RAIL

ALU-GLASS; 60 x 26mm

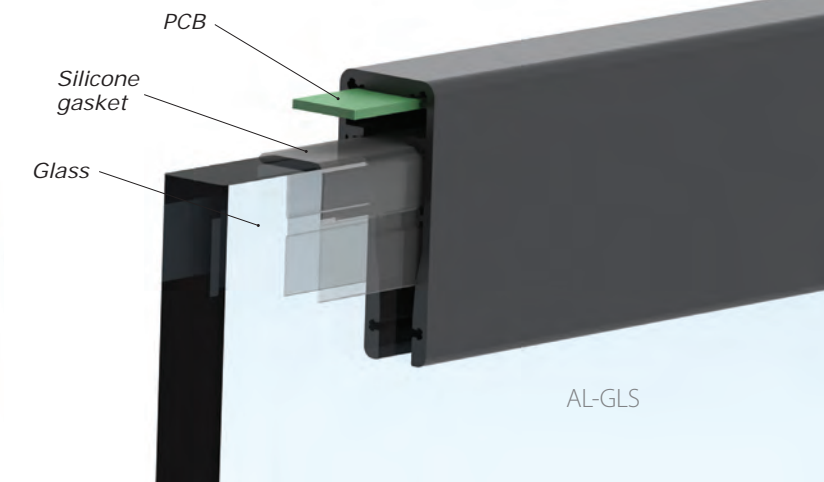
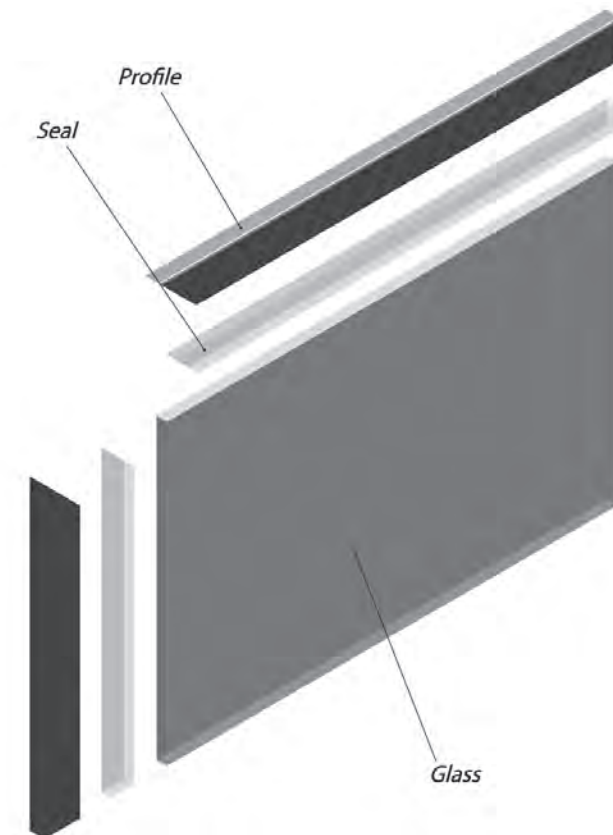
Alu-Glass hand rail profile was design and made by us as the glass barriers finish profile with the glass edge LED illumination option. The profile is dedicated for the glass barriers made from two glass plates of 8mm each with the safe foil between. The total thickness of the glass for this profile should be around 17,5mm. The hand rail profile finish the top of the glass barrier. The profile is not able to hold any weight and is not made as the base profile for the glass barriers. The installation of the profile is simple and silicone free. The installation silicone gasket is placing over the glass edge then the profile is placed over. The gasket fasten the profile with the glass firmly. Profile and the gasket is simply removable if needed.

The light from the LEDs is going thru the gasket till reach the edge of the glass.

Alu-Glass hand rail profile is available on stock in 2m and 3m lengths in finish of silver and mat black anodizing color.



## ALU GLASS HAND RAIL PROFILE MOUNT



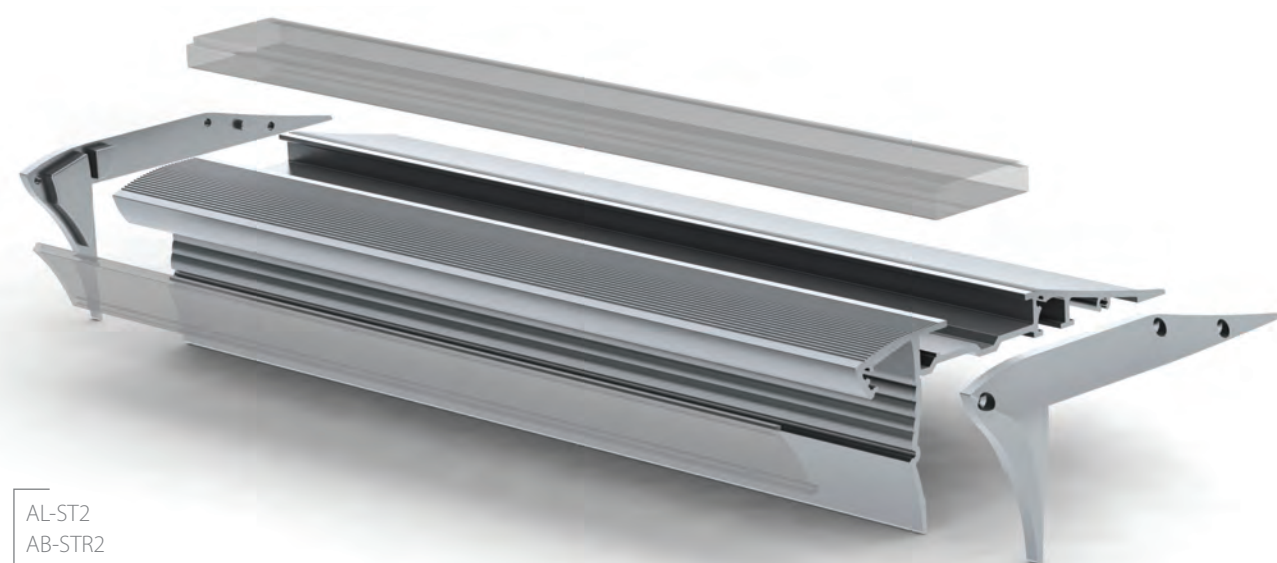
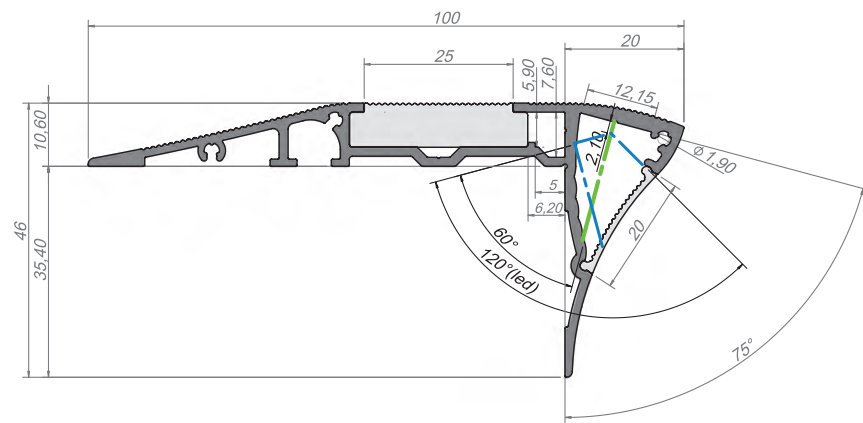


# ALU-STAIR 2 LED PROFILE

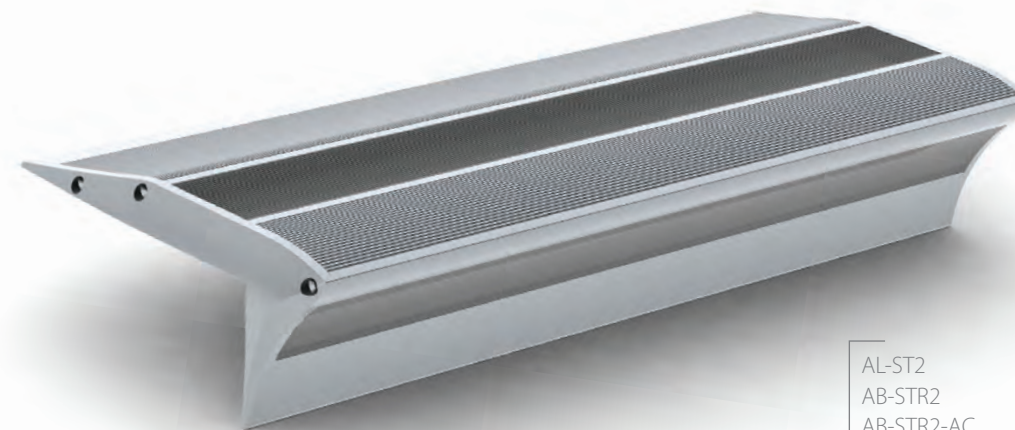
ALU-STAIR 2; 100 x 46mr

Alu-Stair 2, The NEW stair profile where as the main attribute of this design is the light directed down the stairs. The upper light determine the edge of the step and the lower LED light is lighting the next, following step. The light in both cases is soft and LEDs DOT's free.

The upper light/diffuser can be replaced for the anti slip rubber as the finish option. The product application is the LED stair lighting at the cinemas, hotels or other similar places where the light is reduced to very minimum. Profile is available on stock in 1m, 2m units in silver anodizing color with dedicated aluminum finish end caps.



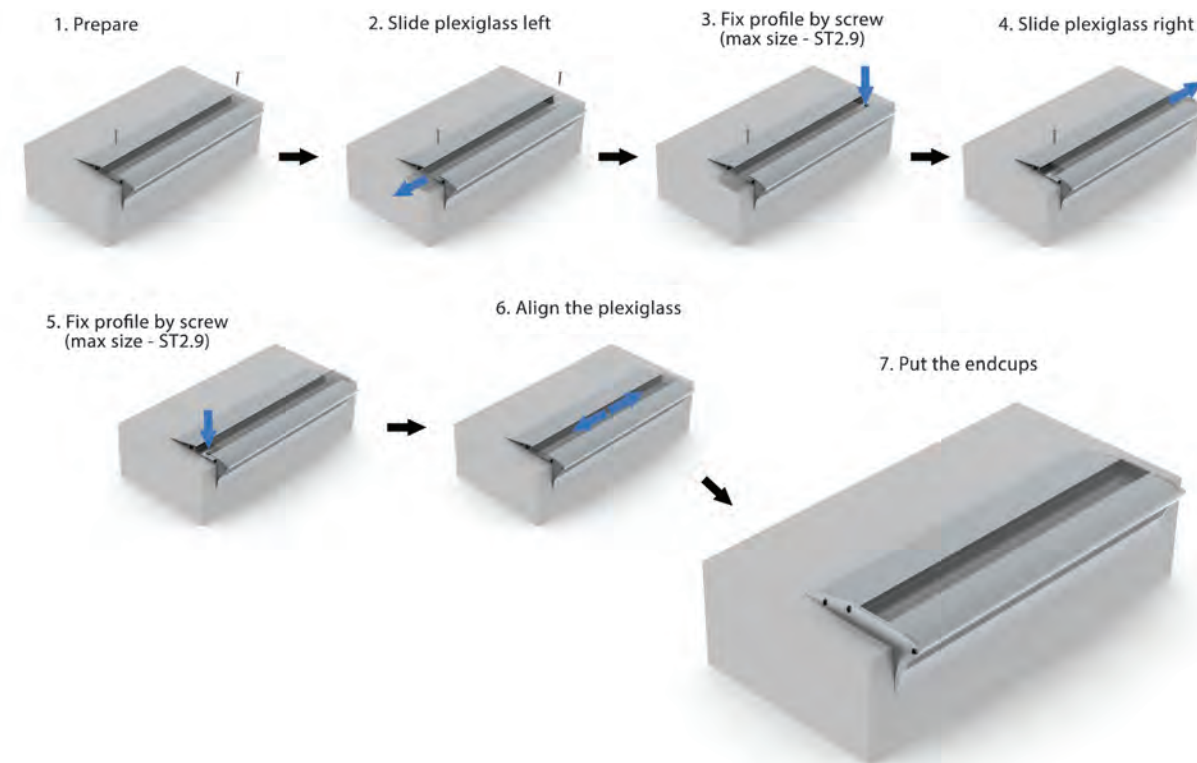
AL-ST2  
AB-STR2  
AB-STR2-AC OR RU-STR2  
EC-ST2



AL-ST2  
AB-STR2  
AB-STR2-AC  
EC-ST2



## ALU-STAIR 2 PROFILE MOUNT



EC-ST2  
End Caps

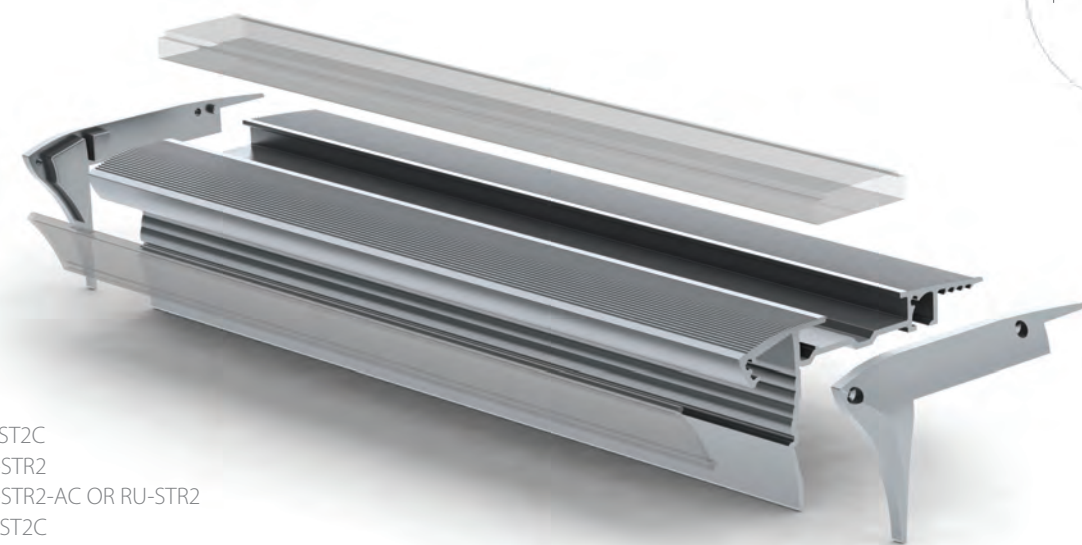
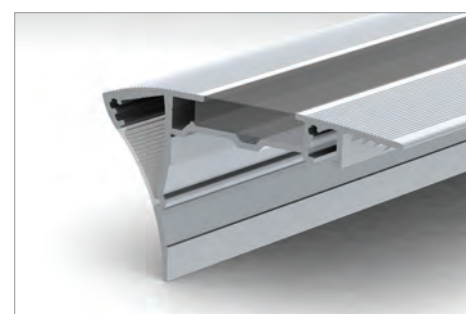
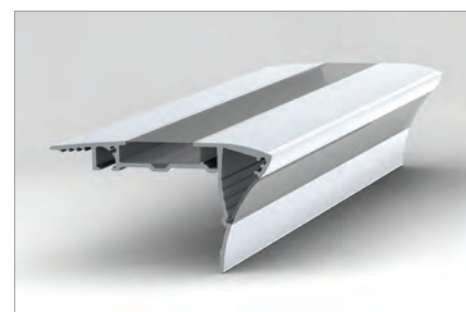
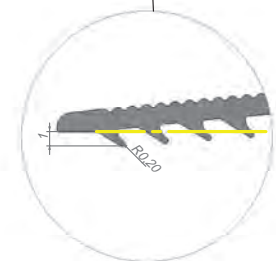
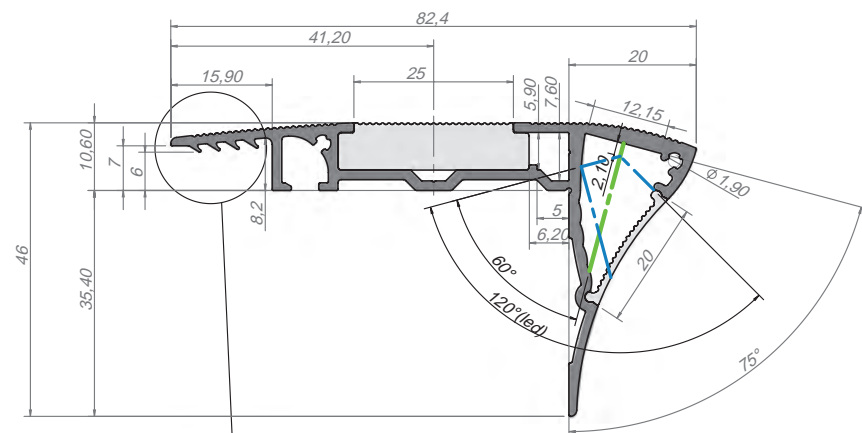


# ALU-STAIR 2 CARPET LED PROFILE

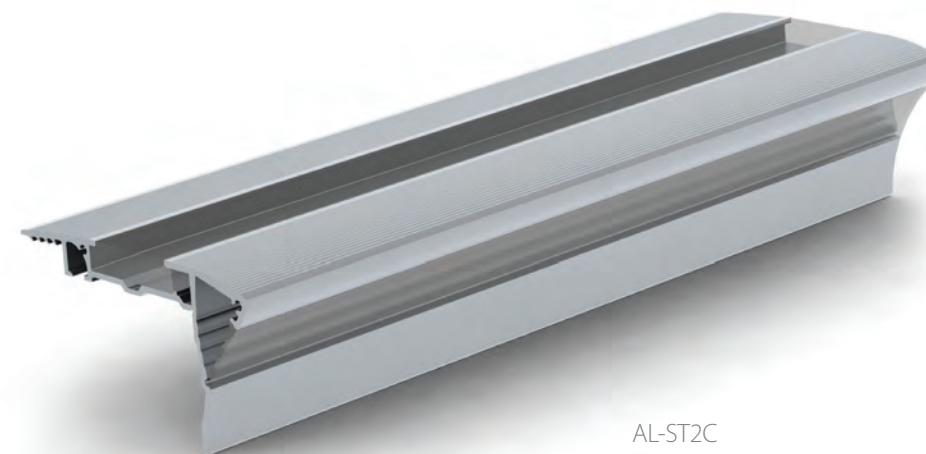
ALU-STAIR 2 CARPET; 82 x 46mm

Alu-Stair 2 carpet LED profile is dedicated for the carpet finished stairs, where the carpet thickness is between 4-10mm. The strong attribute of this design is the LED light directed down the stairs and the soft upper light on the top. The upper light determinate the edge of the step and the lower LED light is lighting the next, following step. The light in both cases is soft and LEDs DOT's free.

The upper light/diffuser can be replaced for the anti slip rubber as the finish option. The product application is the LED stair lighting at the cinemas, hotels or other similar places where the light is reduced to very minimum. Profile is available on stock in 1m, 2m units in silver anodizing color with dedicated aluminum finish end caps.



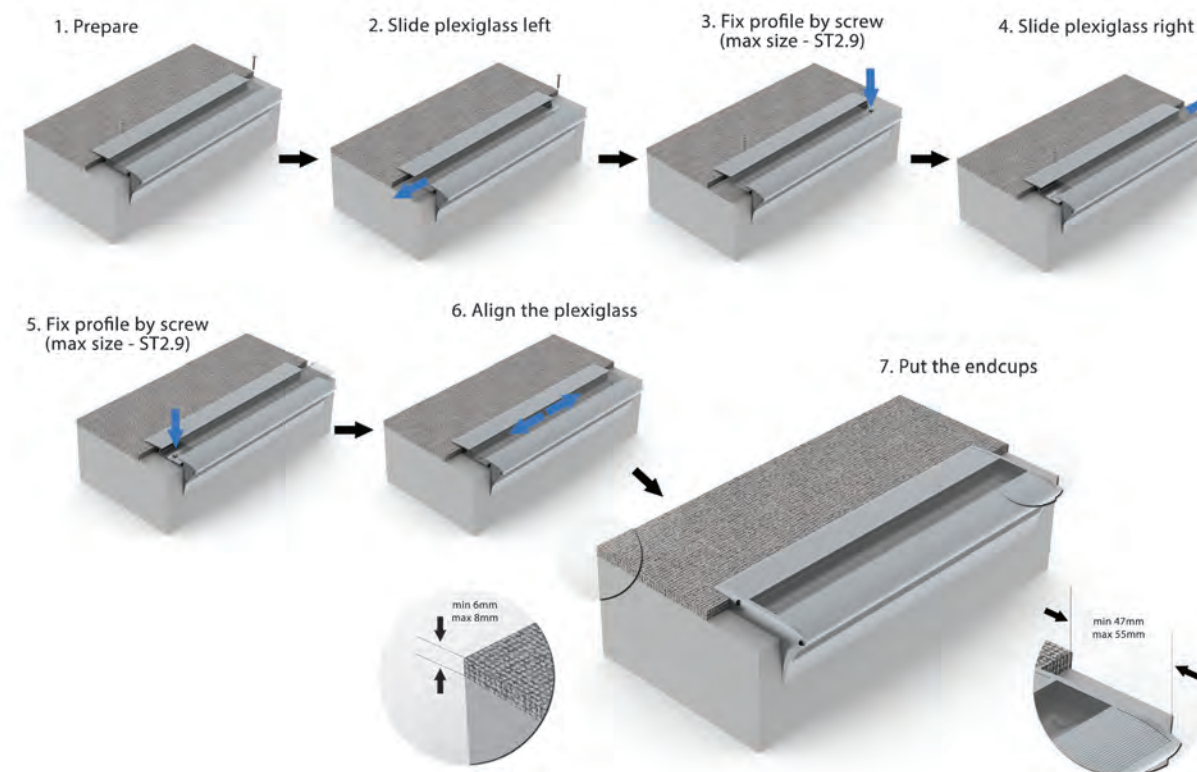
AL-ST2C  
 AB-STR2  
 AB-STR2-AC OR RU-STR2  
 EC-ST2C



AL-ST2C



## ALU-STAIR 2 CARPET PROFILE MOUNT



EC-ST2C  
 End Caps



# ALU-TRIANGLE LED PROFILE

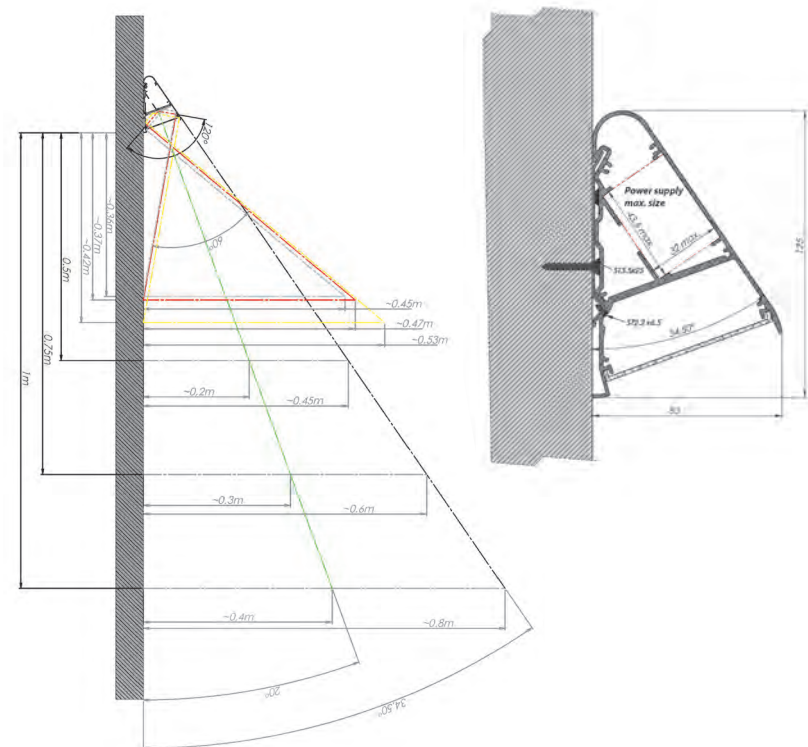
ALU-TRIANGLE; 125 x 82mm

Architectural design, waterproof, larger in size, triangle LED profile with great heat dissipation with high quality components and finish surface.

Concept design of this profile consider two main applications. The first one, exterior facade lighting. Where the lamp is attached to the wall or the building facade and illuminate down below (in 35° degree angle) the walk pad or drive way. The other application of this design is for shop windows lighting or stage lighting. The Alu-Triangle then is placed in laying position on the floor or shelf by the window glass and illuminate the exposed products in front of it. Bigger distance between profile and illuminated object means less concentrate light and higher/wider light beam.

It is the one of heaviest LED profiles what we ever made, (more then 2 kg/m) aluminum deliver great heat dissipation housing for high power LED's. We use special, high density aluminum alloy for faster heat exchange between LEDs and profile. The Alu-Triangle profile in this weight (2kg/m) can handle and manage temperature stable LEDs load up to 50W/m. This give you possibility to use high light output LEDs to have the bigger objects illumination. Design of the profile is providing the separate chamber for power supplier and the LEDs in one housing.

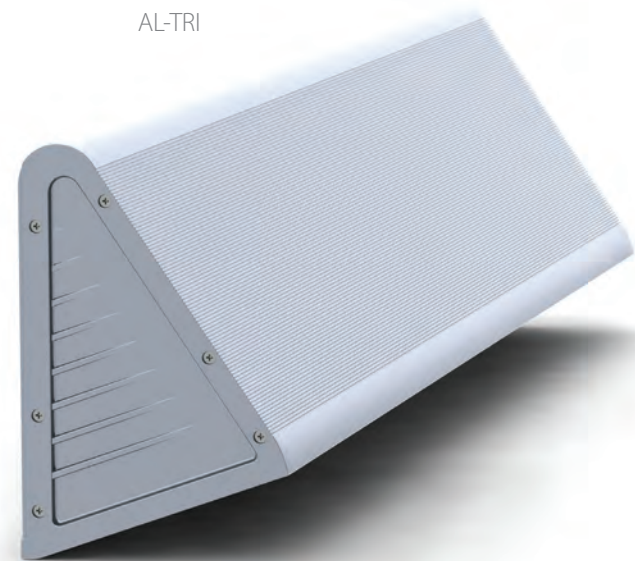
We use deep anodizing process to protect the surface against the bad wether condition and possible aluminum corrosion. Profile is equip also in aluminum end caps with the silicone gasket to provide protection against water. We made extra material withdraw to make the space to seal the diffuser with transparent silicone (as the option) for higher IP rate. Contain UV stabilized 77 mm width polycarbonate diffuser made from certified material. The profile comes in length 2m, 3m what can be cut for smaller units and became independent LED lamps.



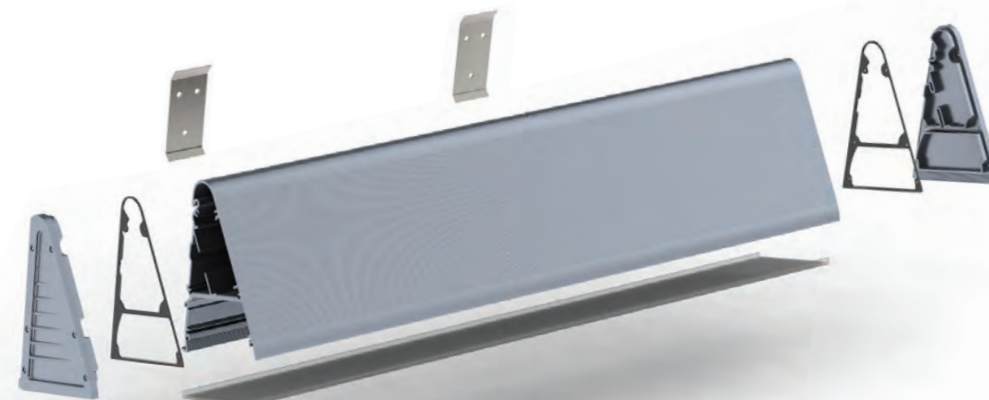
## ALU-TRIANGLE PROFILE MOUNT



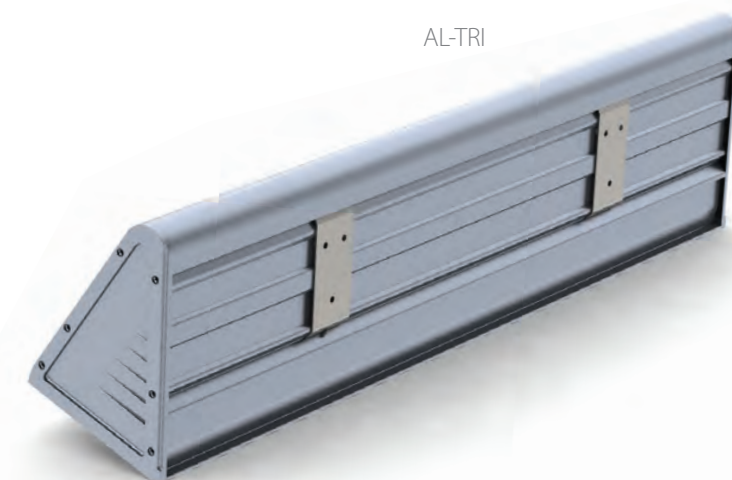
AL-TRI



GA-TRI EC-TRI



AL-TRI



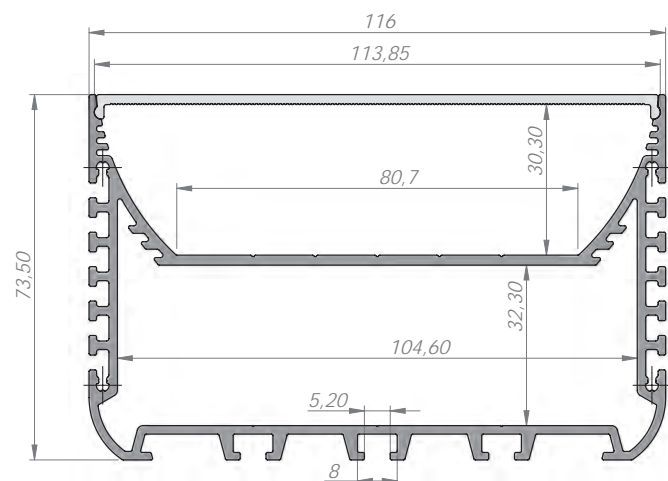


# PLW116 - ARCHITECTURAL LED PROFILE

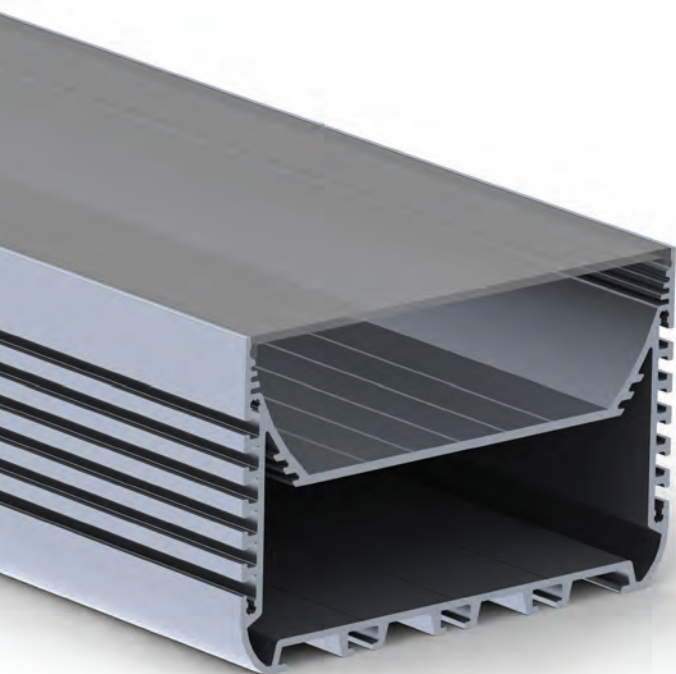
PLW116; 116 x 73,5mm

Heavy duty, (2,54kg/m) aluminum profile with heat dissipation capability for over 50W/m. Extra wide diffuser 113mm and 80mm width LED shelf give you opportunity to build up strong architectural LED lamp. The lamp can be used as the main ceiling LED lamp in the offices, public areas, hotels. We designed heavy duty heat sink which provide great heat dissipation to the LEDs.

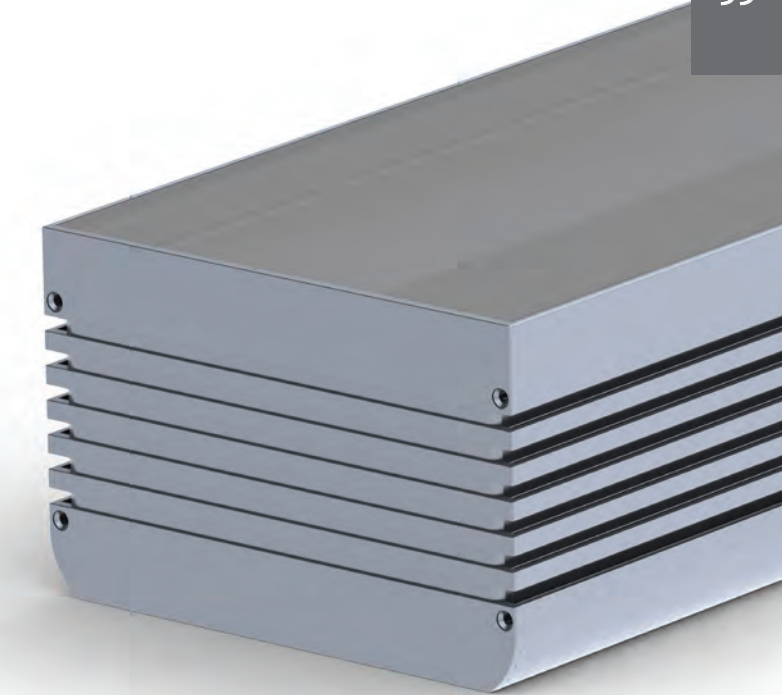
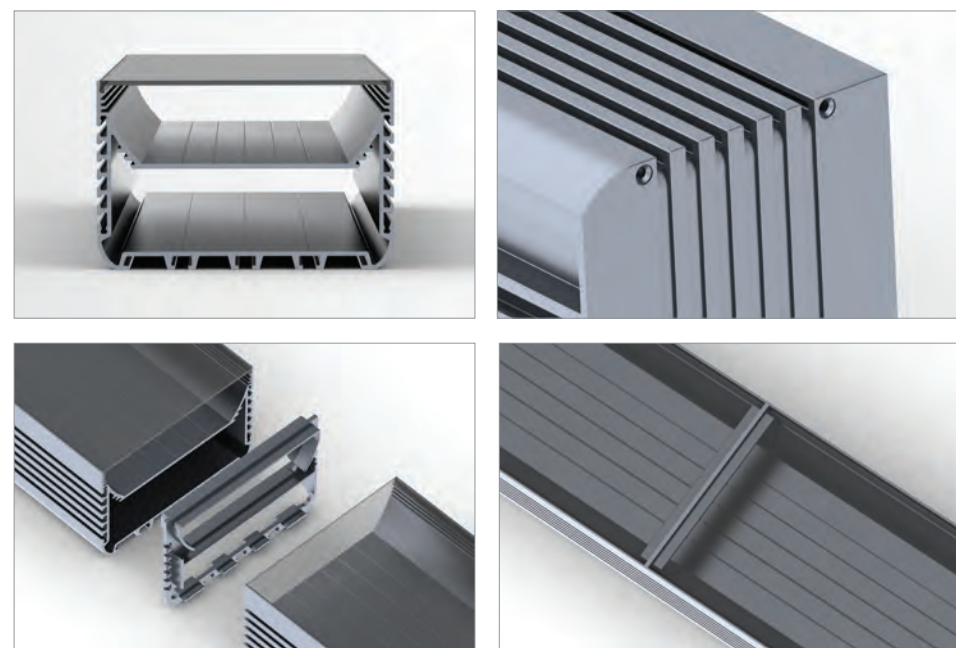
The amount of aluminum used for this model (2,54kg/m) shows respect and trace the new route in the architectural linear LED lighting. Profile is equip with custom fit aluminum linear connector, aluminum end caps. The free space for the power supplier has space to accommodate standard LED drivers up to 60W. Installation of this profile is made directly to the surface by M5 concrete crews. We use certified UV stabilized PC diffuser to achieve LEDs dot's free effect.



LEDs Dot's Free profile



AL-PLW116  
AB-PLW116

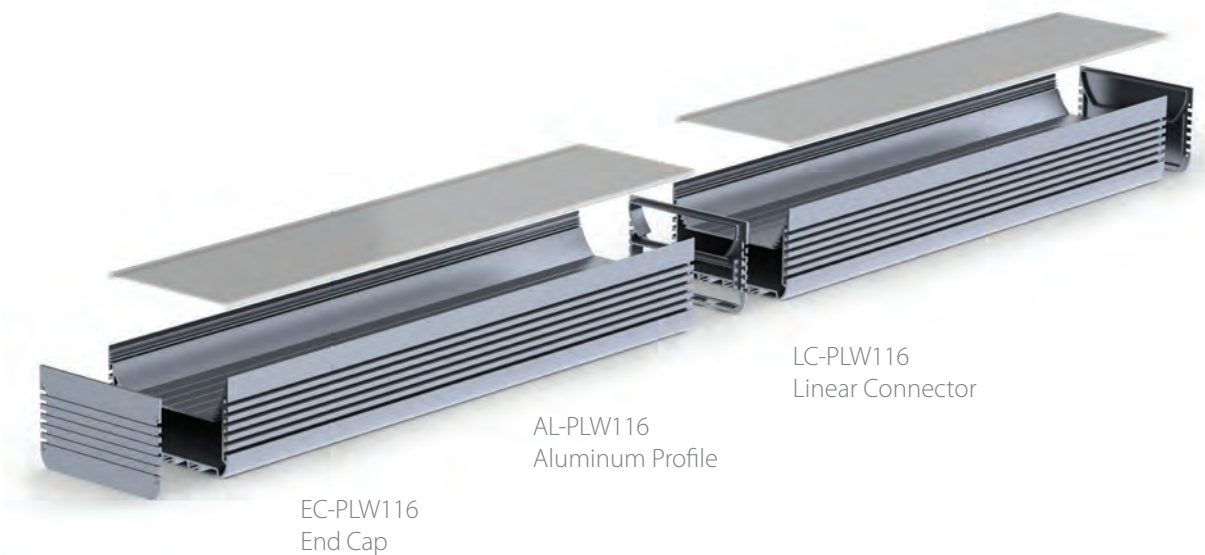


AL-PLW116  
AB-PLW116  
EC-PLW116



LC-PLW116  
Linear Connector

EC-PLW116  
End Caps

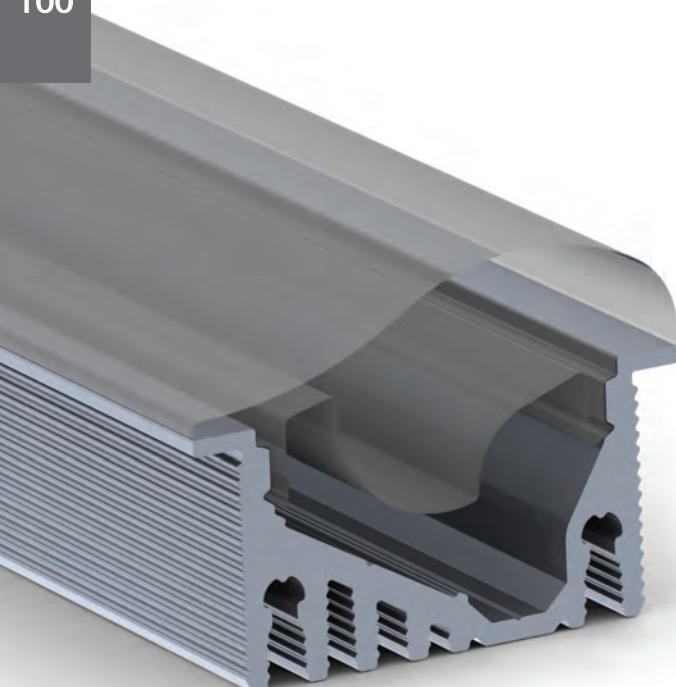


AL-PLW116  
Aluminum Profile

EC-PLW116  
End Cap

LC-PLW116  
Linear Connector





AL-ASY-2  
AB-LASY-2

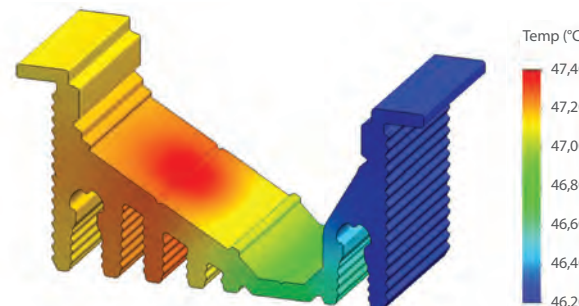
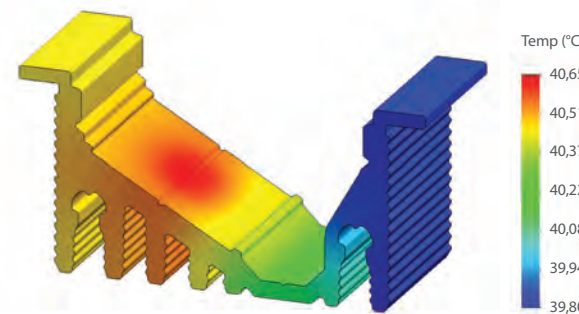
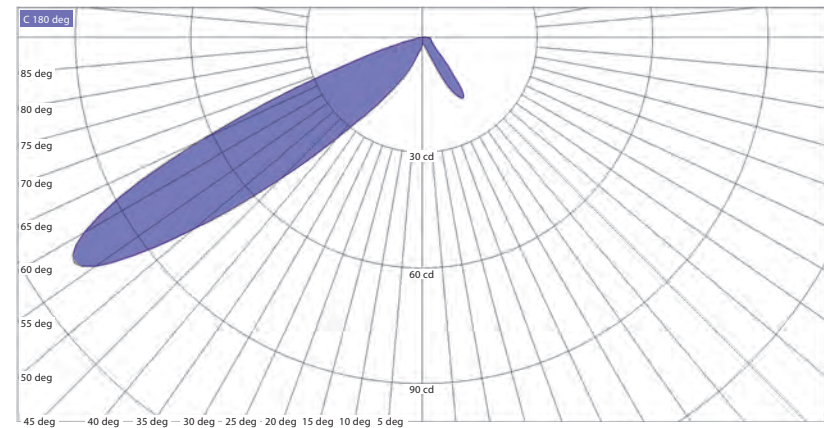
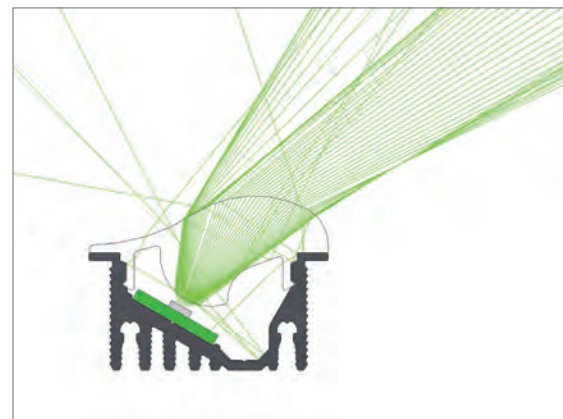
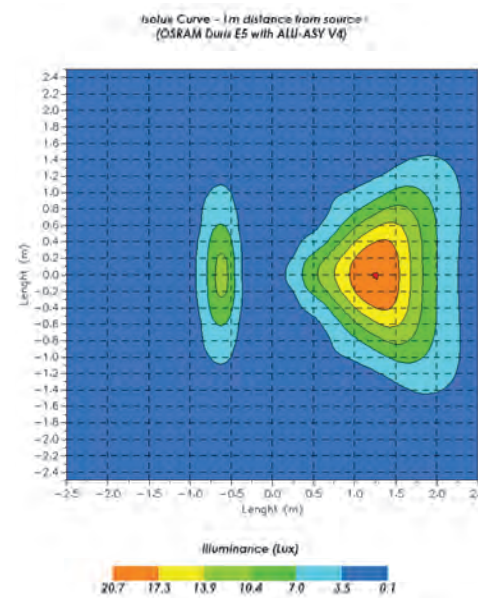
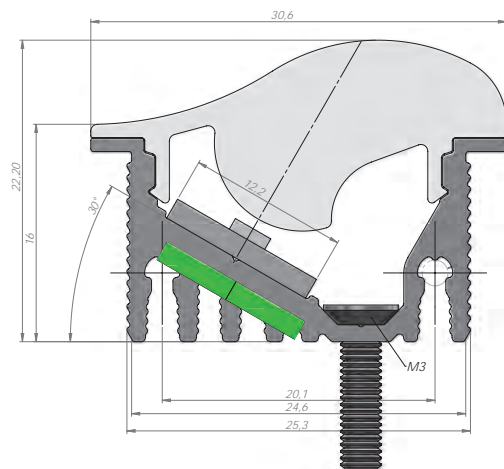
# ALU-ASYMETRIC

ALU-ASY; 30 x 22mm

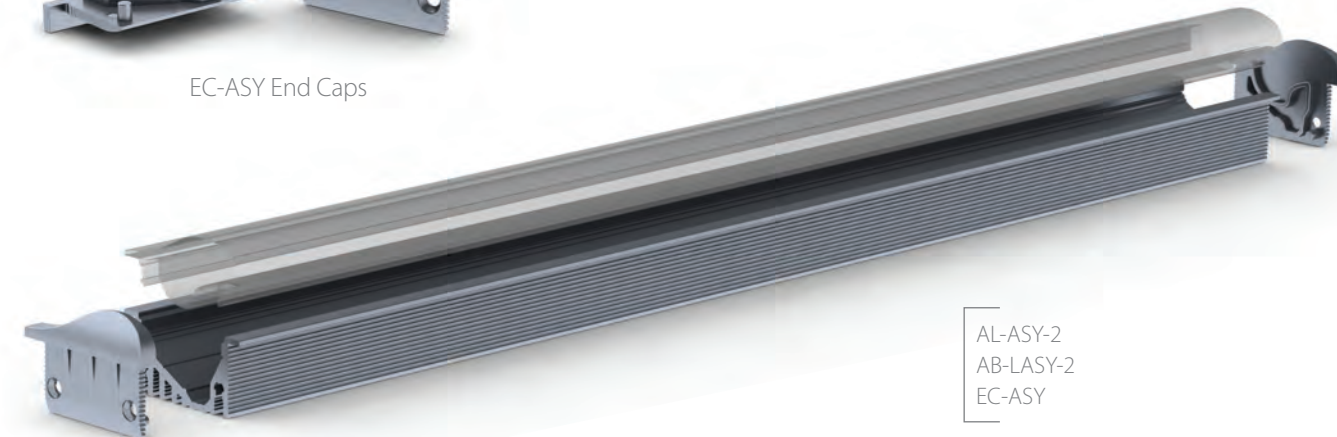
Recess type aluminum LED profile with asymmetric optic lens which push the light beam to the side in angle of 55/65' degree.

Application for this profile is for under need kitchen cabinets lighting, store shelf lighting, ceiling wall washing and everywhere when you want to direct the light further to the side.

The aluminum body has the capability of heat dissipation from the LEDs on the level of 35W/m. Asymmetric lens comes in transparent and mat finish. Profile is available in length of 2m equipped with the dedicated aluminum end caps. The light distribution rays and heat dissipation tests under different power loads are presented in the catalogue.



EC-ASY End Caps



AL-ASY-2  
AB-LASY-2  
EC-ASY

## ALU-ASY\_v4

material: 6060;  
weight: 0,34 kg/m;  
temp ambient: 25C;  
power: 0,35W per single LED;  
total power: 25,2W/mb (72 LED)

## ALU-ASY\_v4

material: 6060;  
weight: 0,34 kg/m;  
temp ambient: 25C;  
power: 0,5W per single LED;  
total power: 36W/mb (72 LED)





## PURCHASE TERMS AND CONDITIONS

### Order format:

We accept only orders placed in written by e-mail or fax.

Any additional condition referring to the order also need to be made in written otherwise are not valid.

### Delivery time:

All received orders are handled in the order as they came, the date of the delivery (dispatch) of your order is confirmed on the issued P/I and depends of the stock, quantity of the order and status of the other orders. The orders with the payment condition "advance payment" are proceed after we receive the payment on our account or when we receive the formal bank transfer confirmation of the money transfer.

### Payment condition:

As the standard we offer the advance payment to speed up the delivery and simplify the transaction.

### Bank transfer charges:

We expect to receive full amount of the payment as it is specified on the issued P/I.

We do not agree to cover any bank charges related with the money transfer. This may result the delay of the shipment and require additional payment of the missing part of the payment.

### Late payments:

The customers with postponed payment condition who are paying late may be consider to loose the privilege of paying after the delivery towards the advanced payment.

### Shipment damage:

Each customer who is using our forwarder is obligated to made the damage claim in written signed by the delivering courier together with the photos and damage specification, no later then 7 days after the delivery. Once receive the notice we will place the official claim to our forwarder and will send the goods for the replacement.

Late notice or not complete documentation in written can not be accepted and successfully proceed. Company Ledson is not responsible for third party shipment damage. We take the full responsibility only for the shipments on line LEDsON – Customer when we use our forwarder. Damaged items should to be returned to the sender by the customer on the customer cost. The replacement of the damage items will take place when the damage

items are returned to the sender. When the forwarder accepts the damage claim the shipping cost of the damage items will be compensated.

### Prices:

We use official export price list, which is the same for all customers. The price list prices are set up once a year and are valid until the end of the year. We keep the right to add new items and update the price list without future notice of all our customers. Customers who order large quantities are granted with the discount under conditions specified on the separate document called "discount levels".

### Incomplete shipment:

Customers, who notice the missing items in the shipment, should contact us no later then 7 days after delivery and place the quantity claim in written. In the multiple package shipment is possible that some items are still on the road when some were already delivered. In that case we advice to check the number of parcels and the tracking numbers. If the items are definitely not been delivered we will check this information with our internal shipping documents and will accept or deny the quantity claim. If the claim is accepted we ship the missing items as soon as possible on our own cost.

### Catalogue pictures, product design rights are reserved:

We publish our catalogue in paper and electronic version. Company LEDsON is the formal owner of all designs and international patents of the LED profiles and we claim all rights to the product design, pictures and other source materials. Companies, who want to use the material, should have our written acceptance. The given material is reserved only to the companies who asked for it and cannot be resend to the third party without our notice. The products designs are fully protected by the international law and any "artificial copies" will be prosecuted in the court of law.

### Distribution conditions:

Company LEDsON sales the LED profiles and other led components in the international network of sale with B2B customers only. The customers who are formally located in the country where we obtained the local (exclusive/non exclusive) distributor should contact the local distributor first with any questions concerning our products. The distributors list is available at the "contact details" web page or on the last page of our formal catalogues. All requests from the markets where we have (exclusive/non exclusive) distributor will be resend to the local distributor.

The present distributors have been selected from the group of our customers after some period of time of our successful cooperation. All new distribution requests will be taken under consideration after minimum of 12 months of the successful cooperation. If both parties are satisfied with the products and turnover the separate distribution agreement can be made. The formal distributors

are obligated to have local stock of all the aluminum LED profiles of the three months market demand and need to be maintain for all the time. Minimum monthly purchase for the distributors is 500m of the LED profiles per month. All other customers, who do sale our products but do not meet certain distributor requirements, are handled as our regular customers.

### Returns:

Company LEDsON do not accept any returns unless the product has hidden production defect. The claim should be placed in written no later then 24 months of the purchase date.

### Products exchange:

If the customer made mistake and would like to exchange the goods should notice us in written no later then 7 days after the delivery date. The products that customers wish to exchange cannot be used and cannot show any visible damage. The transportation cost of the return of wrong items and new shipment need to be covered by the customer in full.

### Guarantee:

According of our knowledge all our products are free of any visible or hidden production defects. The guarantee for the aluminum led profiles is 24 months (standard EU guarantee) counting from the purchase (invoice) date. It is applying to the anodizing surface, accessories, led stripes and other electronic components which are currently in our offer only if they been used according the product specification and destination. Each claim of defect will be handled individually and decision in written will be made after the return of the items within 30-business days.

### MOQ:

Our MOQ is 100m for quality aluminum LED profiles. This could be mix of several different types of profiles taken within one order. Larger quantity is additionally granted with the discount according to our discount scale. Smaller orders (except sampling) will be redirected to local partners/ customers who have the stock.

### Length, color, anodizing surface customizing:

A customer has possibility to order led profiles in customized length, color [RAL] or the different anodizing surface. However the MOQ for that is 500kg of aluminum that divided by the weight of the interesting profile will give certain quantity in meters. Customer has to consider that customize product has to be paid in advance, taken in full quantity at once when the goods are ready. Price and time frame need to be determinate individually with the LEDsON.

The following terms and conditions are applying to the foreign customers only.



# LEDs-ON™

www.ledson.eu

LEDs-ON  
Przemysłowa 3  
05-082 Blizne Łaszczyńskiego, Poland  
tel: + 48 790568999  
+ 48 600110018  
+ 48 22 2411264  
info@ledson.eu  
www.ledson.eu

**Germany**  
SOF Optoelectronics GmbH  
Gartenstr. 38  
52249 Eschweiler  
Tel: +49 2403 508966

**Russia**  
Transistor Co. Ltd.  
1st Mitinsky Lane 15  
Moscow  
Tel: +(7) 495 9265650

**United Kingdom**  
UK LED Lighting  
Derby Road, Kingsbridge  
TQ7 1JL Devon  
Tel: +44 (0)1548 853878

**Norway**  
STORK AS  
Brynsveien 100  
N-1352 Kolsås  
Tel: +47 67 17 64 00

**Slovenia**  
LEDIKS d.o.o.  
Cesta 24. Junija 3  
SI-1231 Ljubljana Črnuče  
Tel: +386 59 049 124

**Bulgaria**  
OMEGA LIGHT Ltd.  
22 Atanas Ishirkov Str.  
Sofia - 1000  
Tel: +359 894 44 22 44

**Sweden**  
DJ Stork Automation  
Karlsbodavägen 39  
168 67 Bromma  
tel. +46 (0)8 635 60 30

**Italy**  
SICOM srl  
Via Lussemburgo, 10/12  
35127 Padova  
Tel: +39 049 8701470

**Slovakia**  
Lightech  
Prokopova C.24  
851 01 Bratislava  
Tel: +42 905 492 777

**USA**  
Luminii  
7928 N Oconto Ave  
Niles IL 60714  
Tel: +001 224 333 6033

**Latvia**  
SIA "ELTORS"  
Biekensalas iela 3a  
LV-1004 Riga  
Tel: +371 6 76 10 600

**Poland**  
PROFILE LED  
ul. Rudno 105  
33-131 Łęg Tarnowski  
Tel: +48 510 839 666

**Italy**  
LED PROFILE s.r.l  
Via Alcide de Gasperi 28  
20090 Pantigliate  
Tel: +39(0) 314 154 12